



US005661804A

United States Patent [19]

[11] Patent Number: **5,661,804**

Dykema et al.

[45] Date of Patent: **Aug. 26, 1997**

- [54] **TRAINABLE TRANSCEIVER CAPABLE OF LEARNING VARIABLE CODES**
- [75] Inventors: **Kurt A. Dykema, Holland; Floyd J. Peplinski, Bitely, both of Mich.**
- [73] Assignee: **Prince Corporation, Holland, Mich.**
- [21] Appl. No.: **495,101**
- [22] Filed: **Jun. 27, 1995**
- [51] Int. Cl.⁶ **H04L 9/08**
- [52] U.S. Cl. **380/21; 380/25**
- [58] Field of Search **380/21, 23, 25**

Madni, Asad M. et al., "High-Dynamic-Range Airborne Tracking and Fire Control Radar Subsystems," *IEEE*, vol. 37, No. 12, Dec. 1989, pp. 1942-1948

Foltz, Capt. Thomas M. et al., "A Digital Single Sideband Modulator for a Digital Radio Frequency Memory," pp. 926-932.

Ooi, T. H. et al., "Low Cost RF Identification and Locating System," *IEEE*, vol. 35, No. 4, Nov. 1989, pp. 831-839.

Vaccani, Paul, "Occupancy Measurement Methods in the Radio Frequency Spectrum and Their Use," pp. 242-246.

Herman, Ray A. et al., "A GPS Receiver With Synthesized Local Oscillator," *IEEE*, 1989, pp. 194-195, 339.

US Dept. of Commerce, Data Encryption Standard (Des), Dec. 30, 1993, Booklet.

Professor J. Gordon, Designing Codes for Vehicle Remote Security Systems, Oct. '94, pp. 1-20.

Gail Marino, Pager and Garage Door Combination, Mar. 1990, Motorola Technical Developments, vol. 10, p. 36 (1 page).

[56] References Cited

U.S. PATENT DOCUMENTS

Re. 29,525	1/1978	Willmott .	
3,337,992	8/1967	Tolson .	
4,178,549	12/1979	Ledenbach et al. .	
4,197,503	4/1980	Dini .	
4,201,944	5/1980	Beunders .	
4,241,870	12/1980	Marcus .	
4,247,850	1/1981	Marcus .	
4,360,801	11/1982	Duhame .	
4,385,296	5/1983	Tsubaki et al. .	
4,405,829	9/1983	Rivest et al.	380/30
4,427,847	1/1984	Hofmann et al. .	
4,447,808	5/1984	Marcus .	
4,482,947	11/1984	Zato et al. .	
4,484,025	11/1984	Ostermann et al.	380/21

(List continued on next page.)

FOREIGN PATENT DOCUMENTS

0605996	7/1994	European Pat. Off. .
2265482	9/1993	United Kingdom .
2275552	8/1994	United Kingdom .
2276023	9/1994	United Kingdom .
9402920	2/1994	WIPO .
9418036	8/1994	WIPO .

OTHER PUBLICATIONS

Kari, Risto, "Fast Training of a High-Speed Voiceband Data Modem Receiver," Doctoral Dissertation, Helsinki, 1990, pp. 21, 83-99.

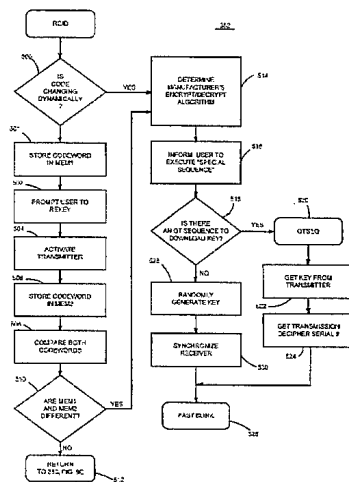
Primary Examiner—Salvatore Cangialosi

Attorney, Agent, or Firm—Price, Heneveld, Cooper, DeWitt & Litton

[57] ABSTRACT

A trainable transceiver for learning and transmitting an activation signal that includes a rolling or other variable code for remotely actuating a device, such as a garage door opener. The trainable transceiver preferably includes a receiver, a signal generator, and a controller operating in a learning mode or in an operating mode. In the learning mode the controller recognizes the presence of a variable code, identifies a prestored cryptographic algorithm related to the cryptographic algorithm used by the remote transmitter to generate the variable code, and stores data identifying the cryptographic algorithm and last transmitted code of the activation signal. In the operating mode, the controller generates output data representing a next sequential code of the variable code using the identified cryptographic algorithm and the data representing the last transmitted code. The signal generator receives the output data from the controller and for transmits a modulated signal, which corresponds to a received activation signal and includes a variable code recognizable by a receiver of a remotely actuated device.

20 Claims, 19 Drawing Sheets



U.S. PATENT DOCUMENTS					
4,509,093	4/1985	Stellberger .	4,988,992	1/1991	Heitschel et al. .
4,529,980	7/1985	Liotine et al. .	5,028,919	7/1991	Hidaka .
4,535,333	8/1985	Twardowski .	5,065,423	11/1991	Gaskill .
4,595,228	6/1986	Chu .	5,103,221	4/1992	Memmola 340/825.34
4,596,985	6/1986	Bongard et al. .	5,123,008	6/1992	Beesley .
4,623,887	11/1986	Welles, II .	5,126,686	6/1992	Tam .
4,626,848	12/1986	Ehlers .	5,136,548	8/1992	Claar et al. .
4,631,708	12/1986	Wood et al. .	5,182,551	1/1993	Goto .
4,635,033	1/1987	Inukai et al. .	5,191,610	3/1993	Hill et al. 380/21
4,652,860	3/1987	Weishaupt et al. .	5,227,780	7/1993	Tigwell .
4,670,746	6/1987	Taniguchi et al. .	5,233,185	8/1993	Whitaker .
4,703,359	10/1987	Rumbolt et al. .	5,235,327	8/1993	Igarashi et al. .
4,750,118	6/1988	Heitschel et al. .	5,262,769	11/1993	Holmes .
4,754,255	6/1988	Sanders et al. .	5,266,945	11/1993	Peek et al. .
4,771,283	9/1988	Imoto .	5,310,999	5/1994	Claus et al. 380/23
4,825,200	4/1989	Evans et al. .	5,319,797	6/1994	Salter et al. .
4,825,210	4/1989	Bachhuber et al. .	5,363,448	11/1994	Koopman, Jr. et al. 380/21
4,827,507	5/1989	Marry et al. 380/38	5,369,706	11/1994	Latka 380/23
4,847,614	7/1989	Keller 340/825.31	5,377,270	12/1994	Koopman, Jr. et al. 380/21
4,866,434	9/1989	Keenan .	5,379,453	1/1995	Tigwell .
4,872,205	10/1989	Smith .	5,381,138	1/1995	Stair et al. .
4,878,052	10/1989	Schulze .	5,412,379	5/1995	Waraksa et al. .
4,881,148	11/1989	Lambropoulos et al. .	5,412,730	5/1995	Jones 380/21
4,890,108	12/1989	Drori et al. .	5,420,925	5/1995	Michaels 380/21
4,905,279	2/1990	Nishio 380/21	5,442,340	8/1995	Dykema .
4,912,463	3/1990	Li .	5,442,341	8/1995	Lambropoulos 340/825.34
4,922,168	5/1990	Waggamon et al. .	5,475,366	12/1995	Van Lente et al. .
4,928,098	5/1990	Dannhaeuser 340/825.34	5,479,155	12/1995	Zeinstra et al. .
4,929,877	5/1990	Clark et al. .	5,506,905	4/1996	Markowski et al. 380/25
4,953,305	9/1990	Van Lente et al. .	5,517,187	5/1996	Bruwer et al. 340/825.34
4,978,944	12/1990	Andros et al. .	5,564,101	10/1996	Eisfeld et al. .
			5,583,485	12/1996	Van Lente et al. .

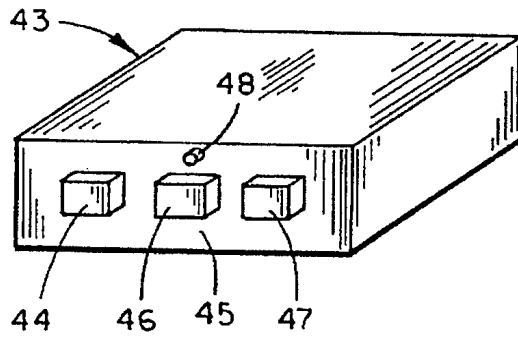


FIG. 2

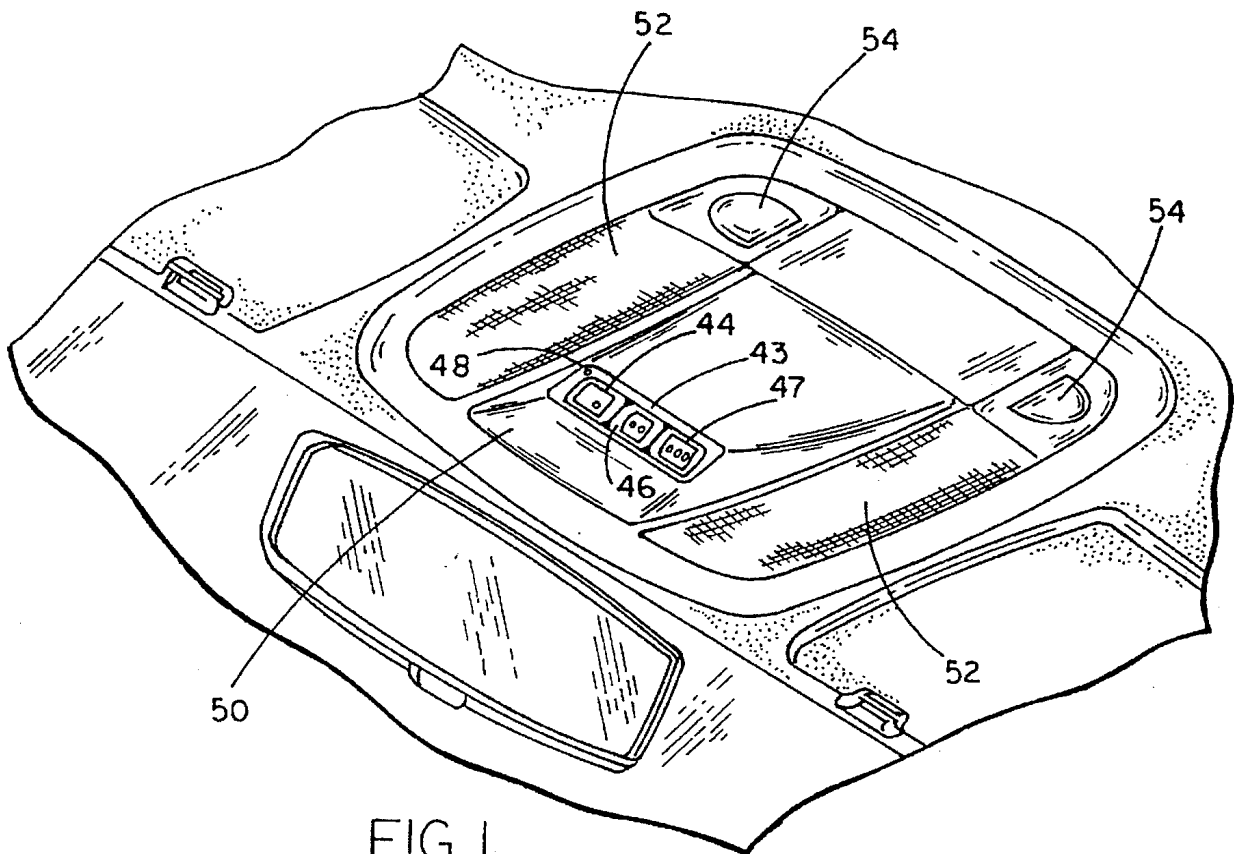


FIG. 1

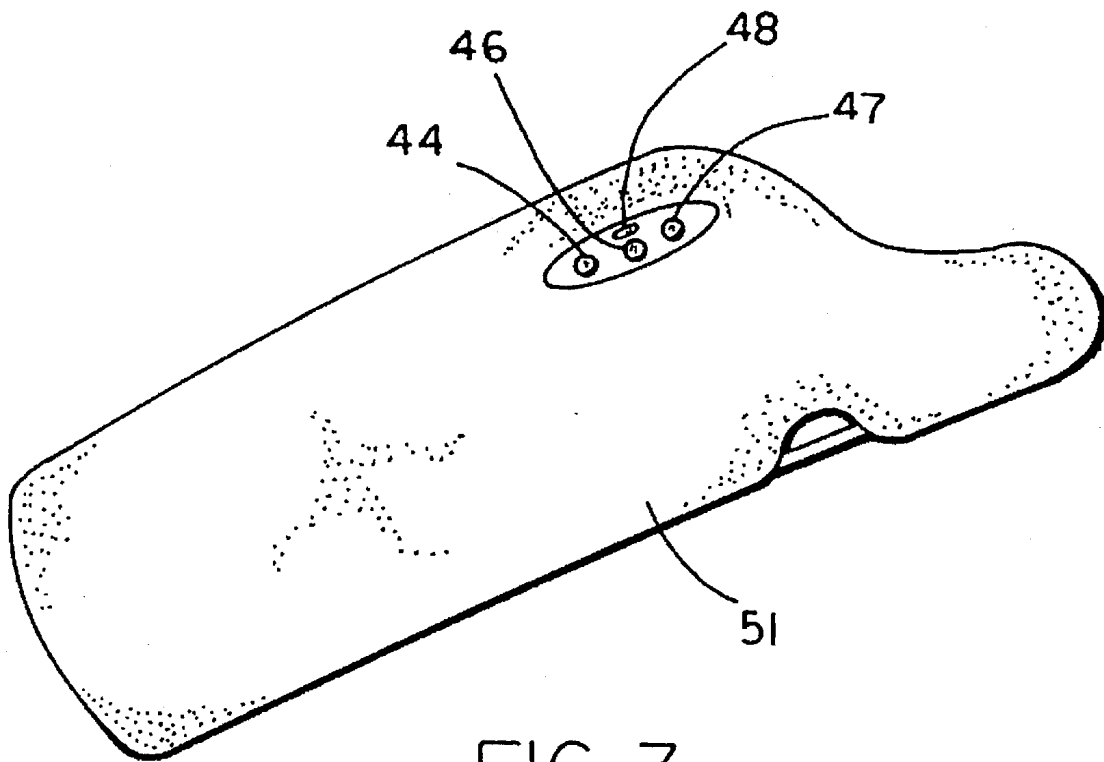


FIG. 3

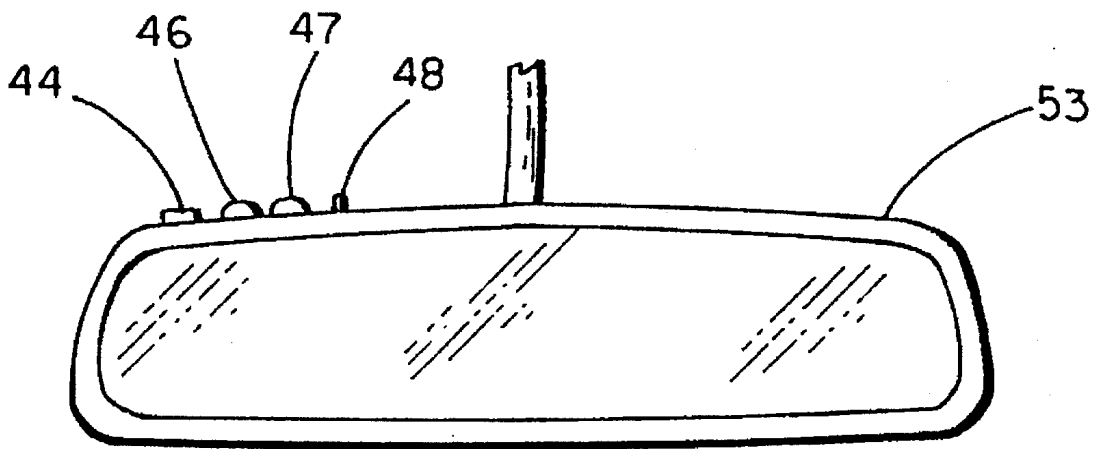


FIG. 4

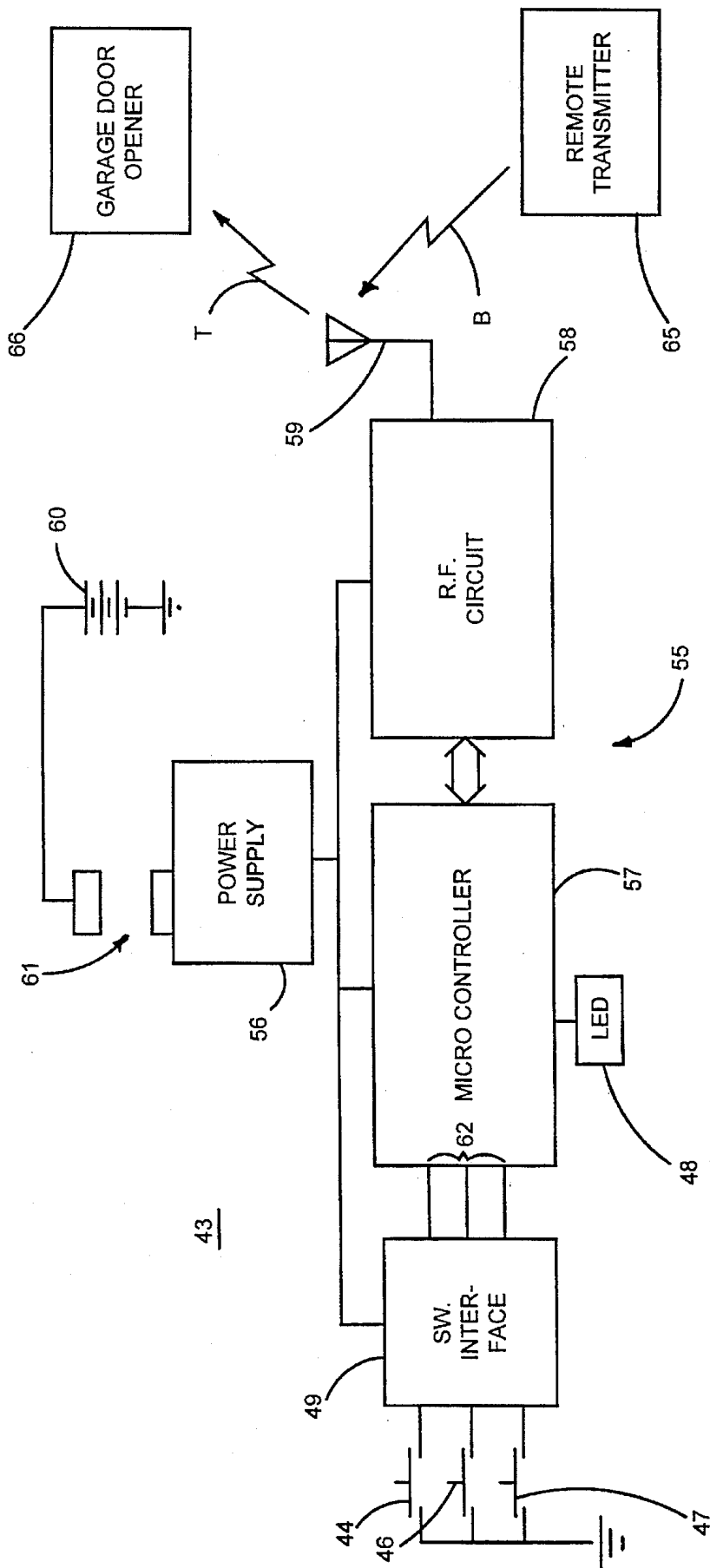


Fig. 5

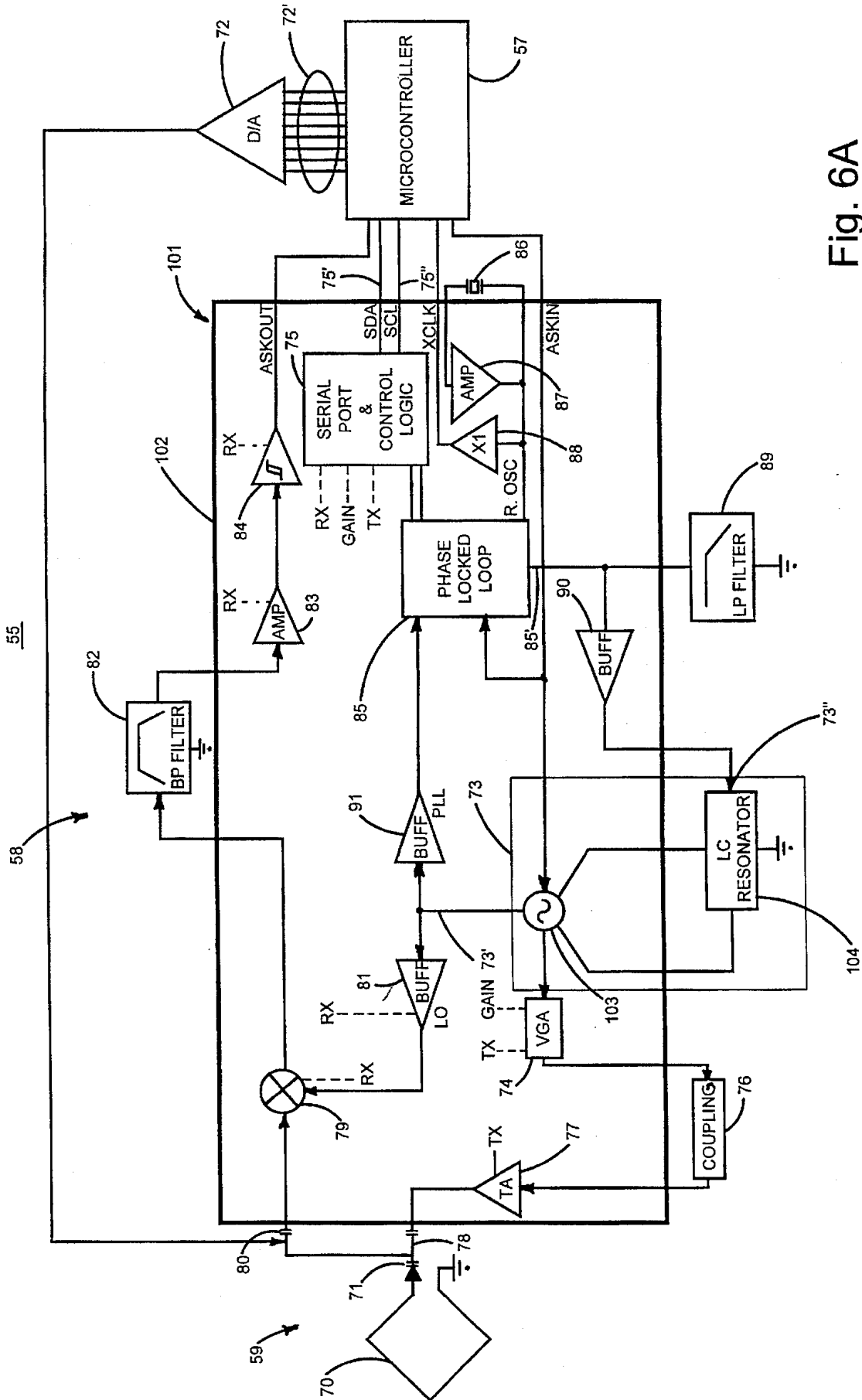


Fig. 6A

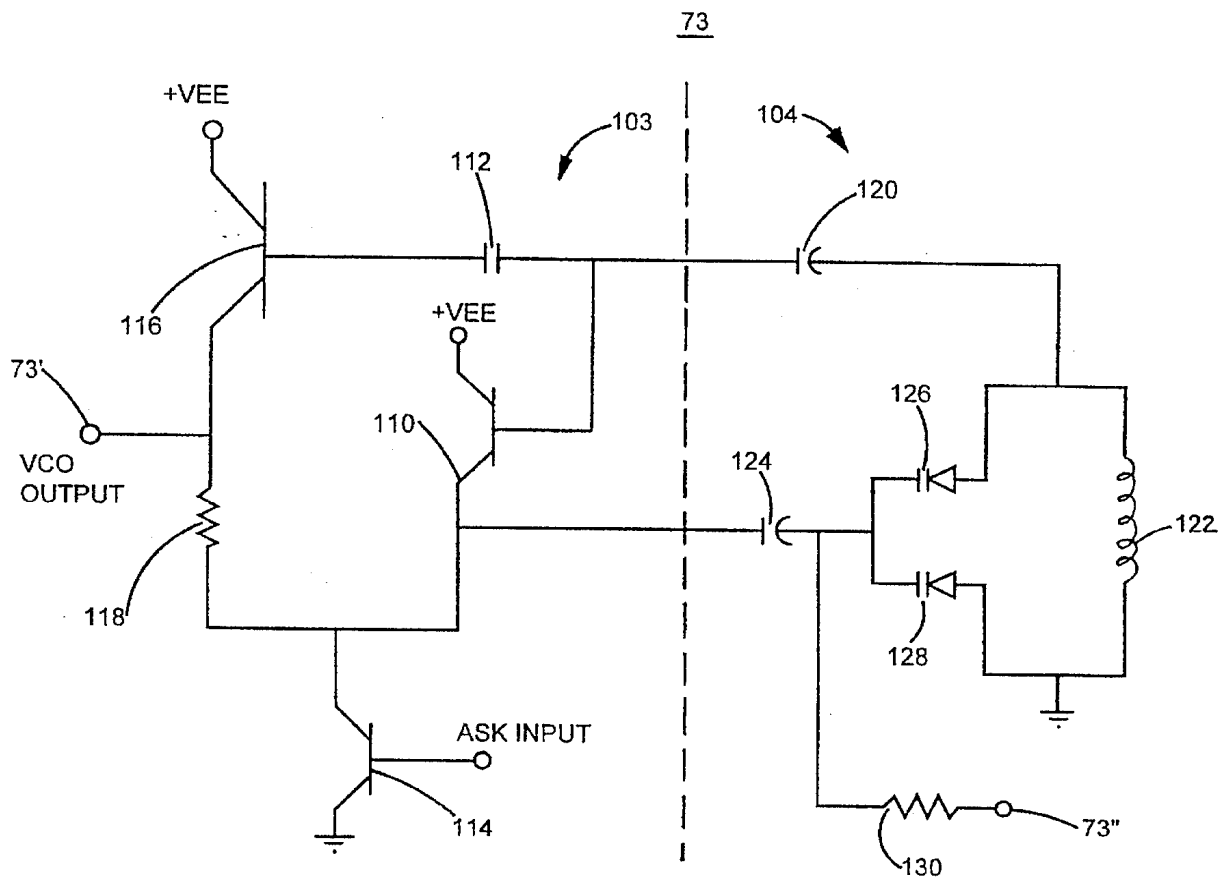


Fig. 6B

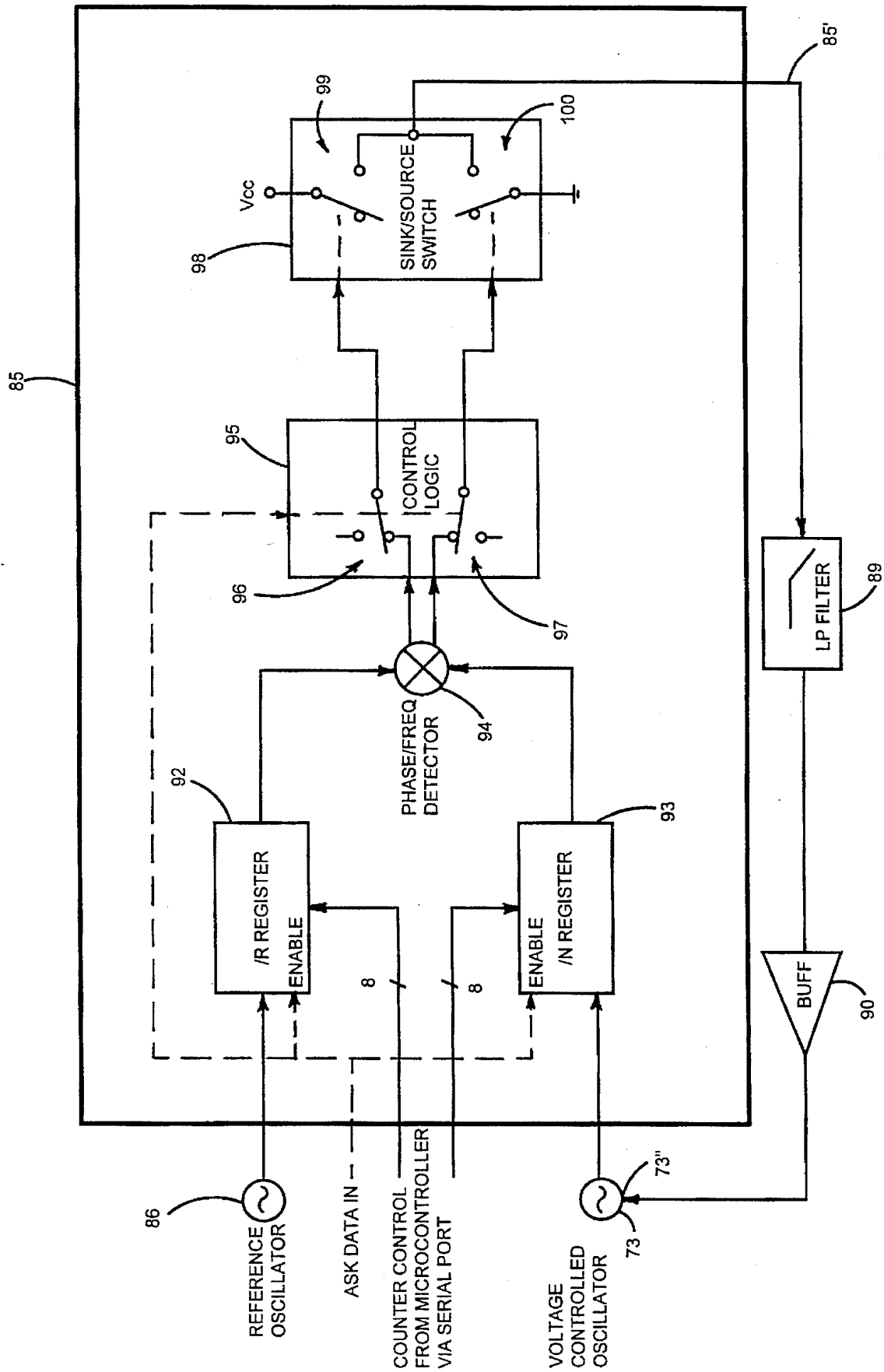


Fig. 7

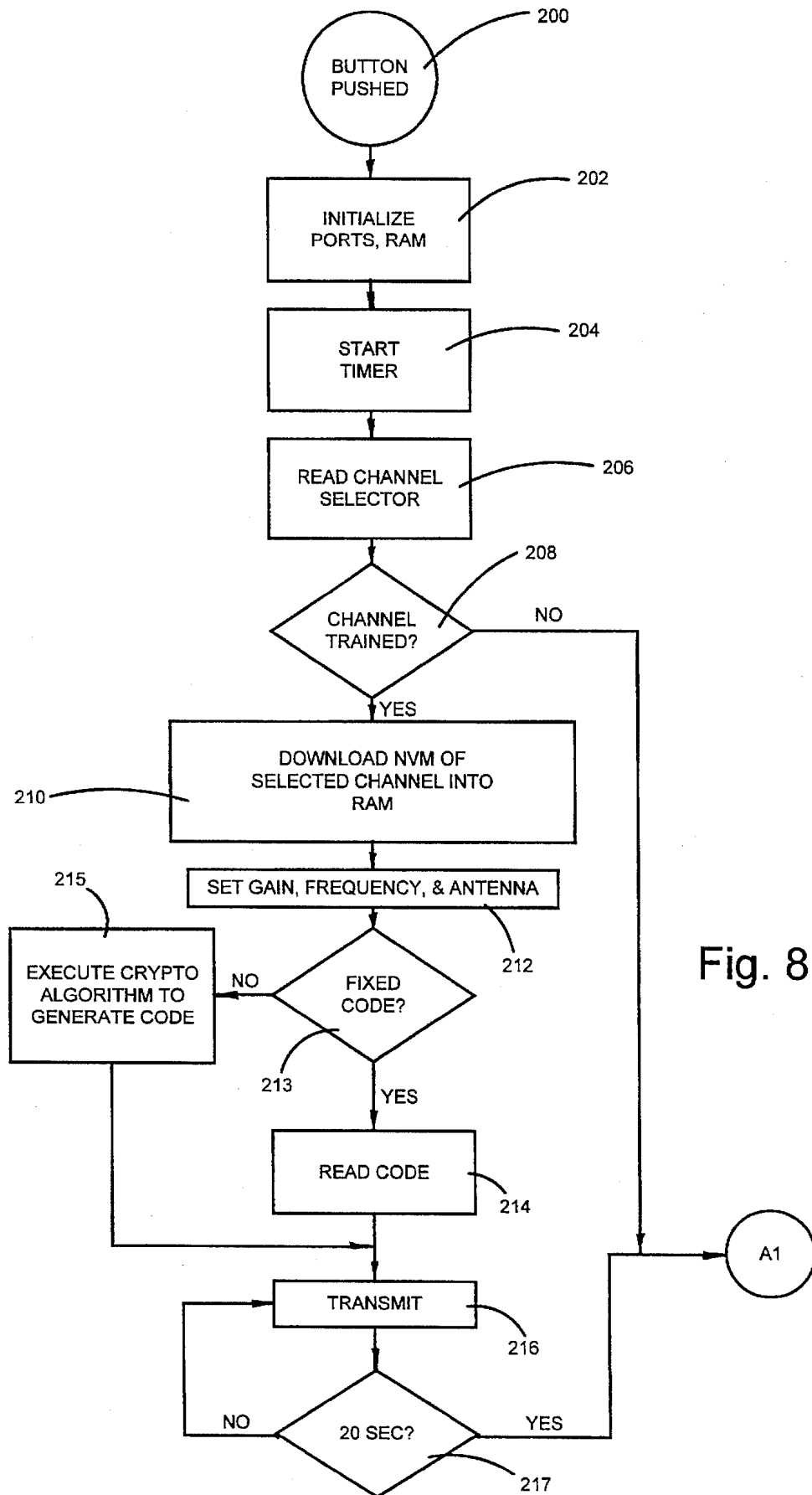


Fig. 8

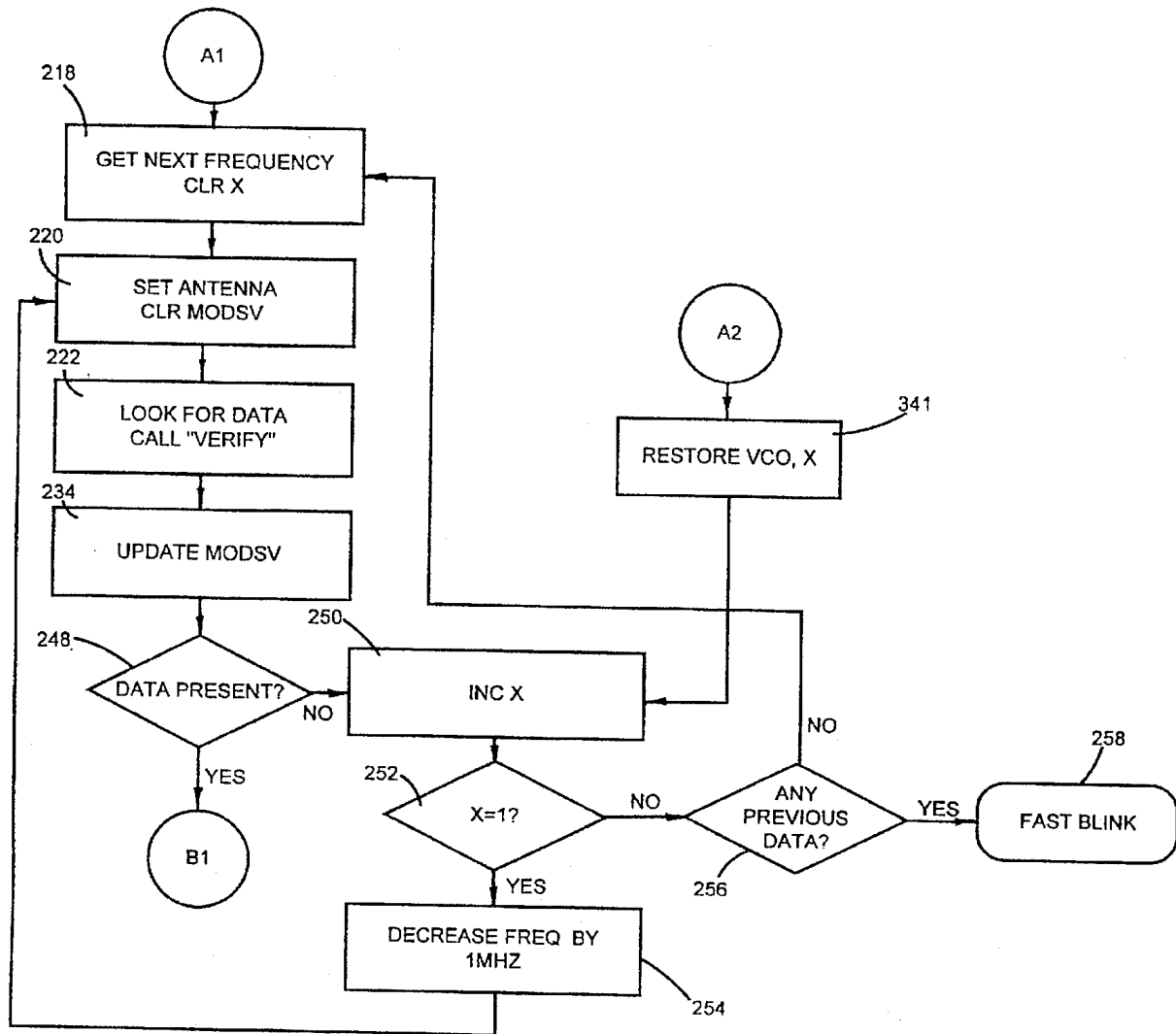
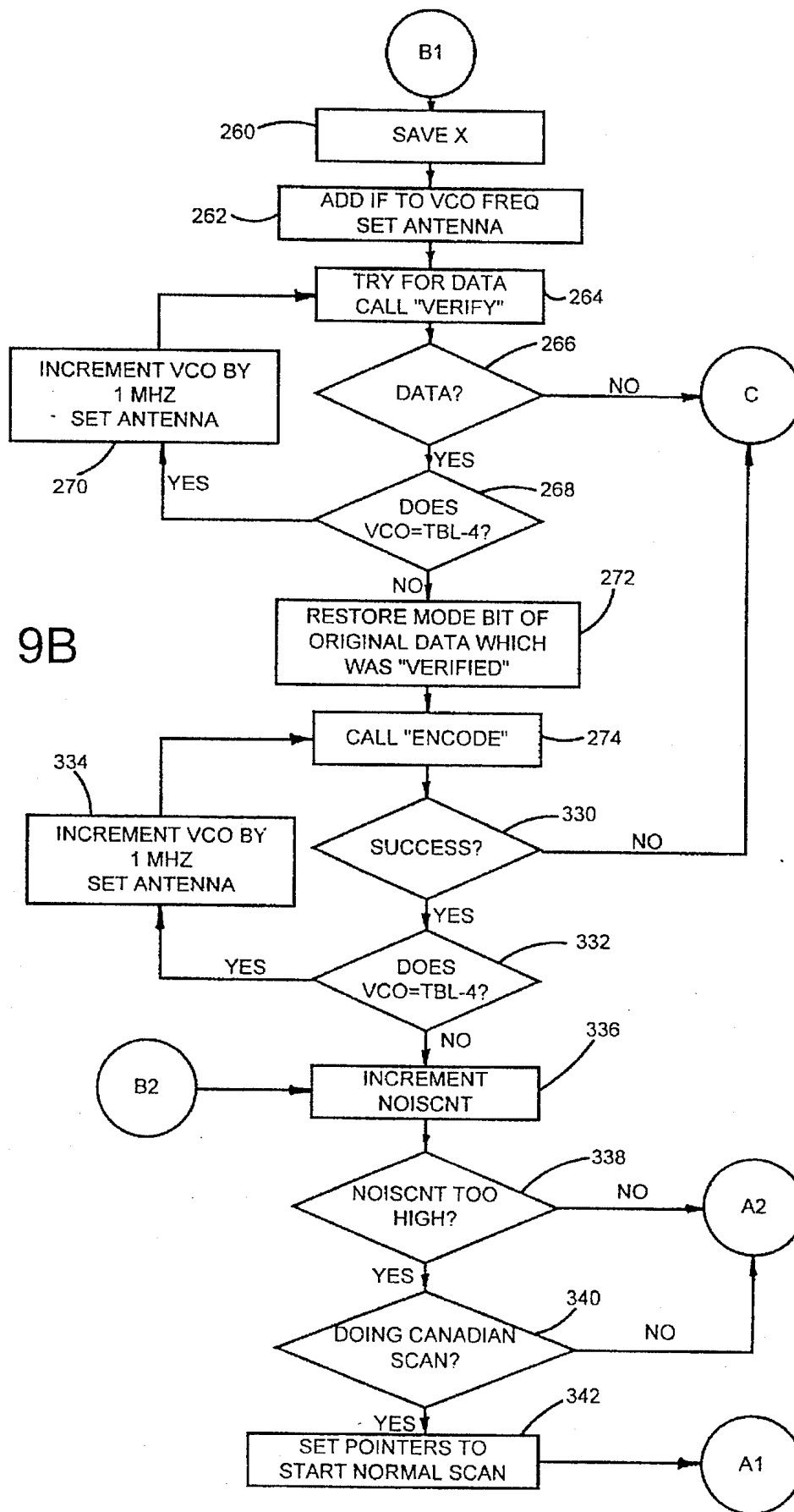


Fig. 9A

Fig. 9B



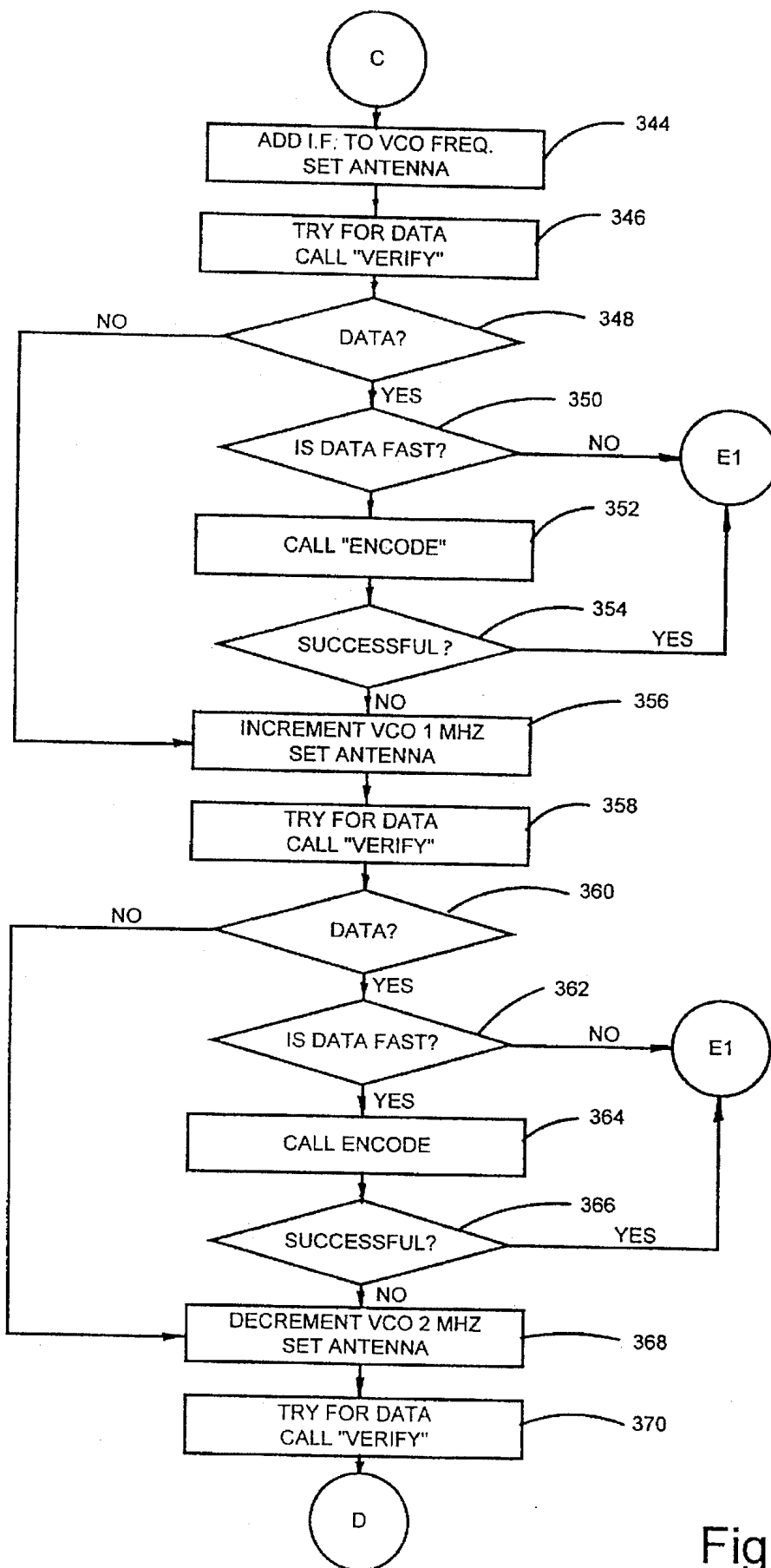


Fig. 9c

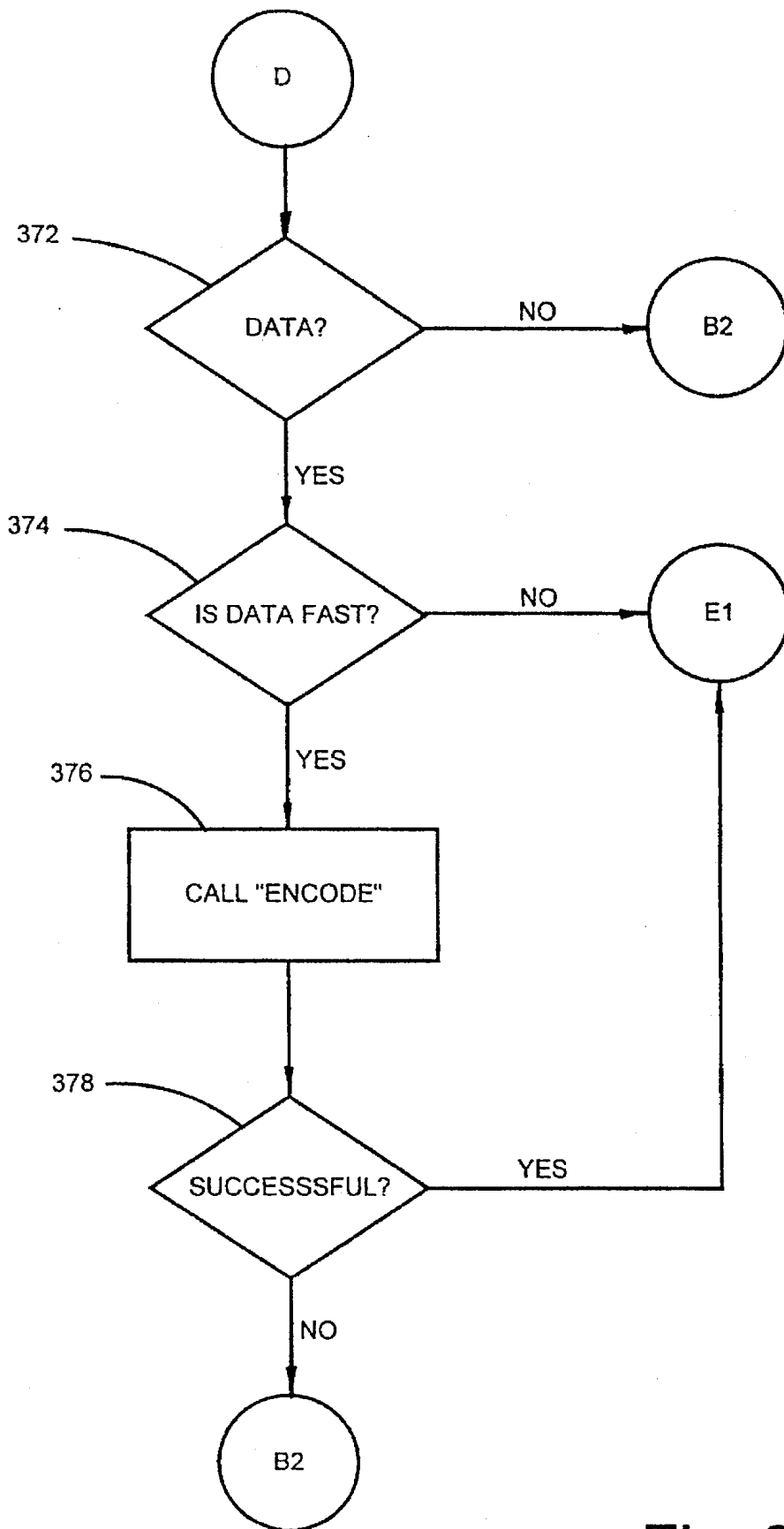


Fig. 9D

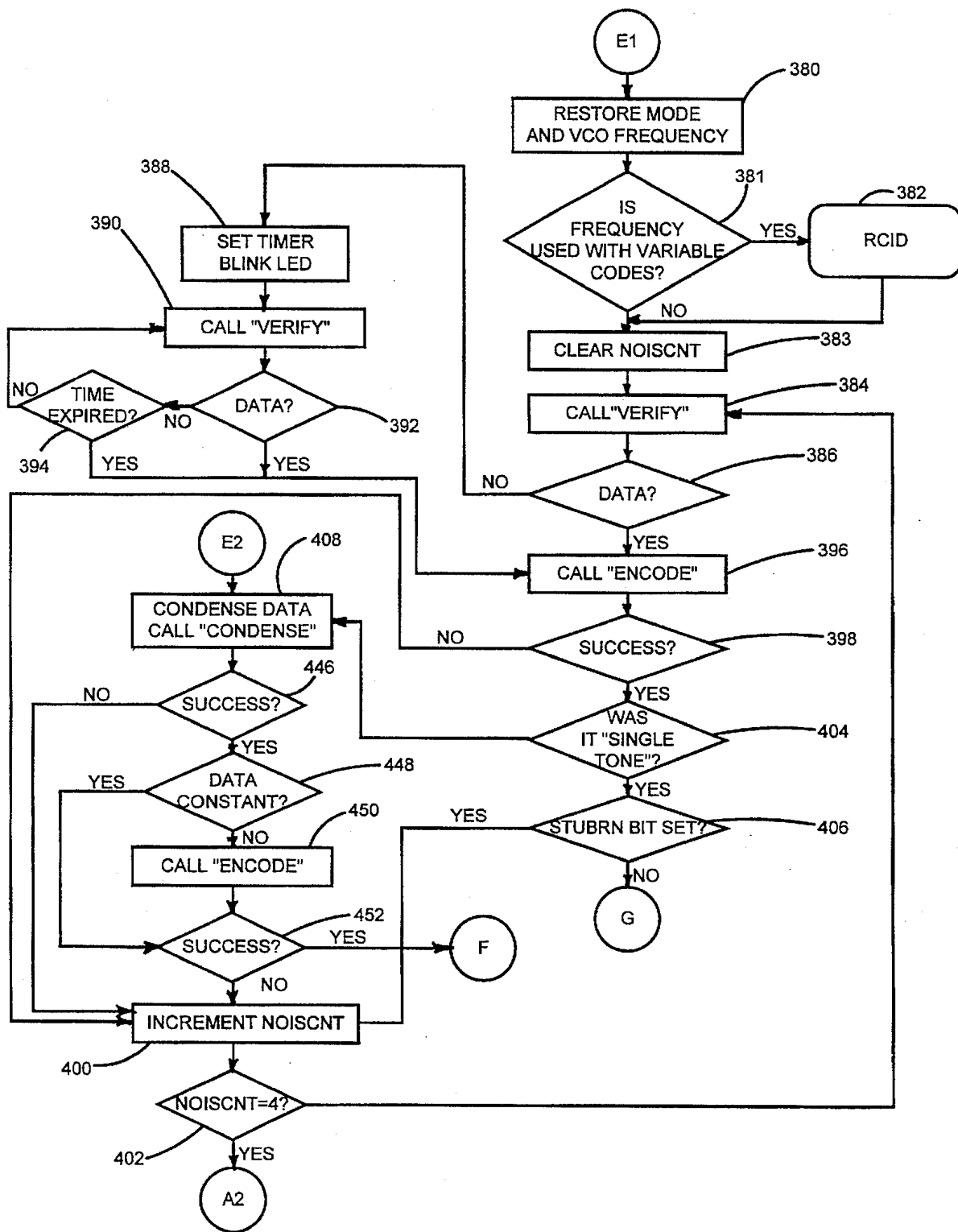


Fig. 9E

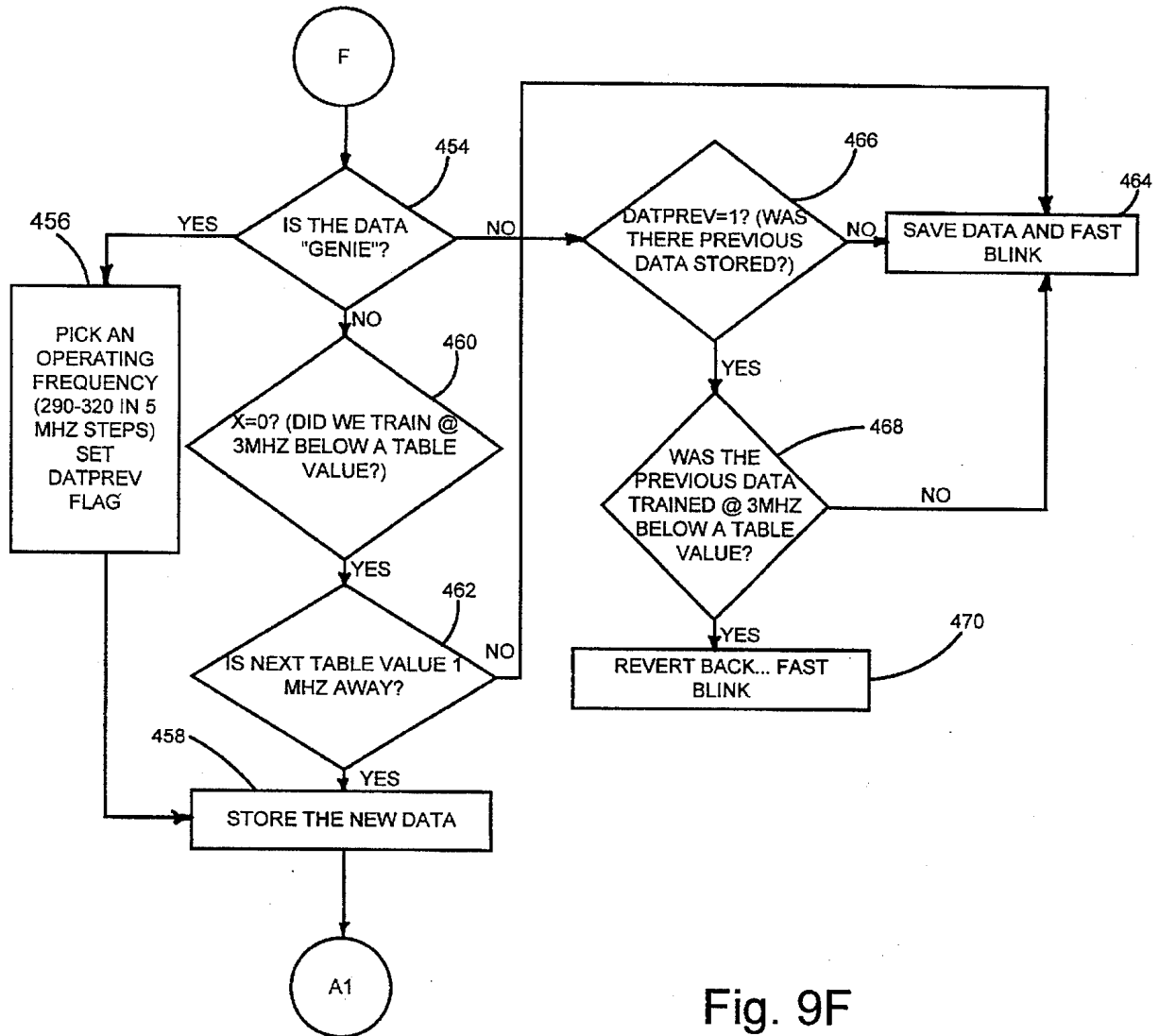


Fig. 9F

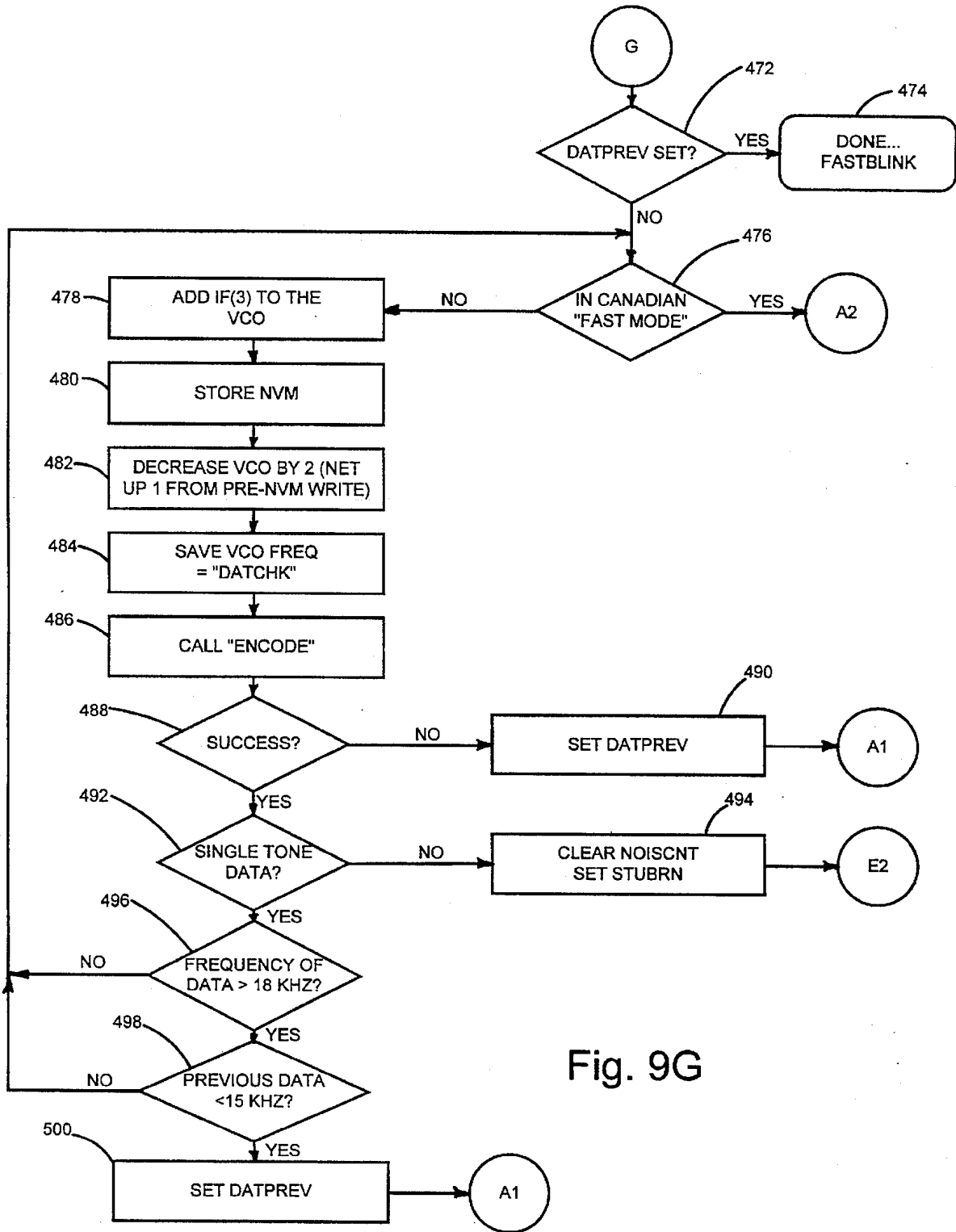


Fig. 9G

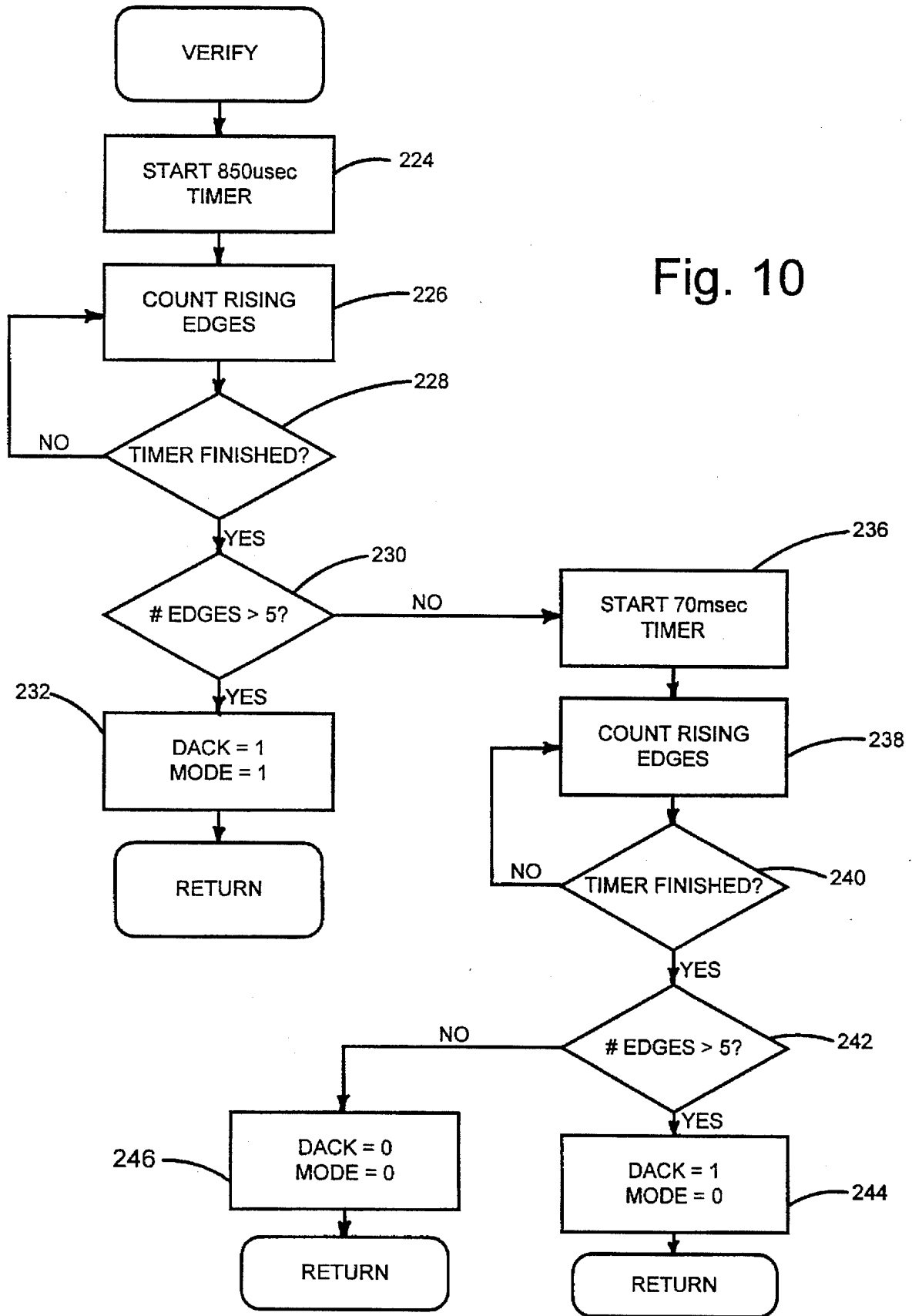
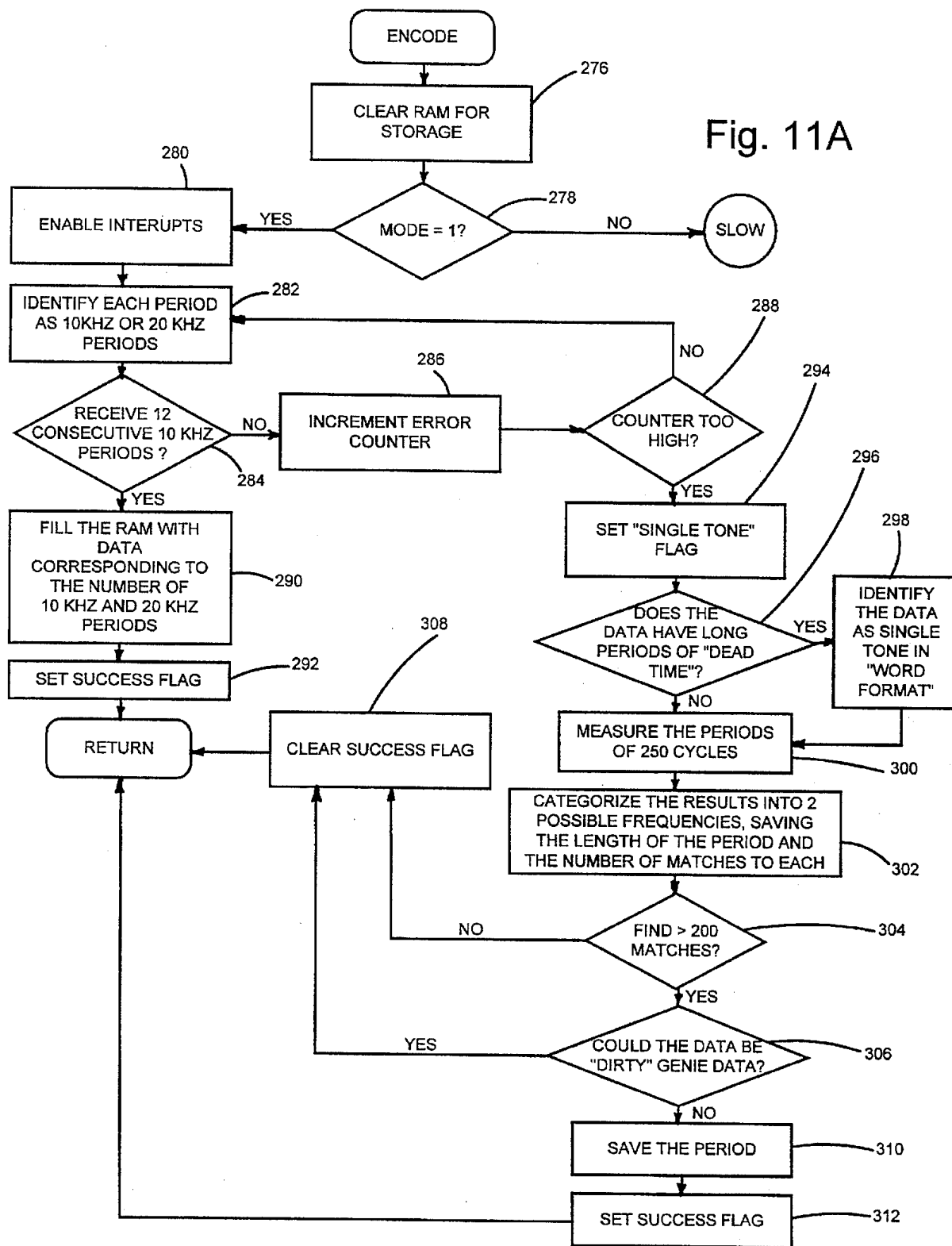


Fig. 10

Fig. 11A



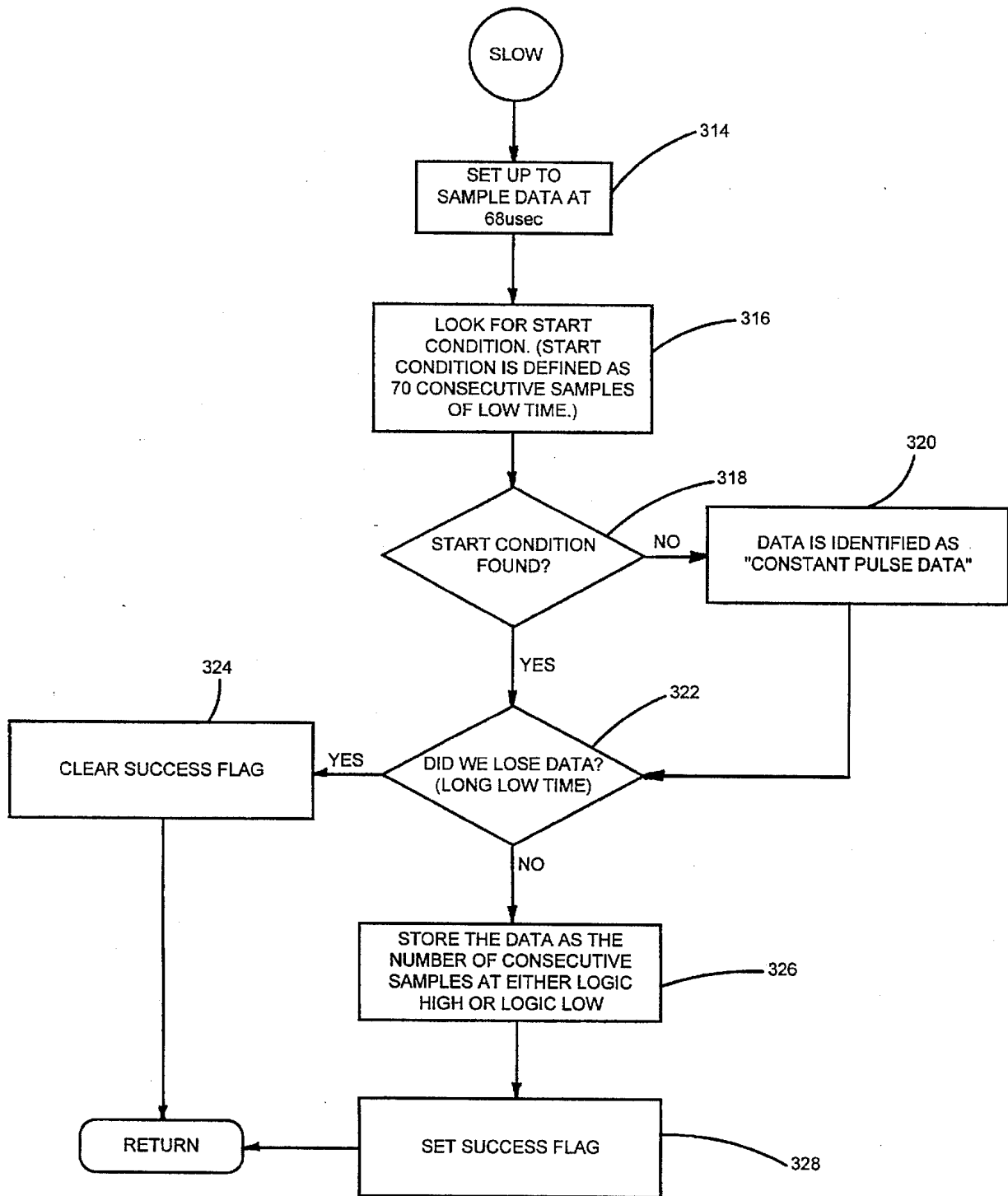


Fig. 11B

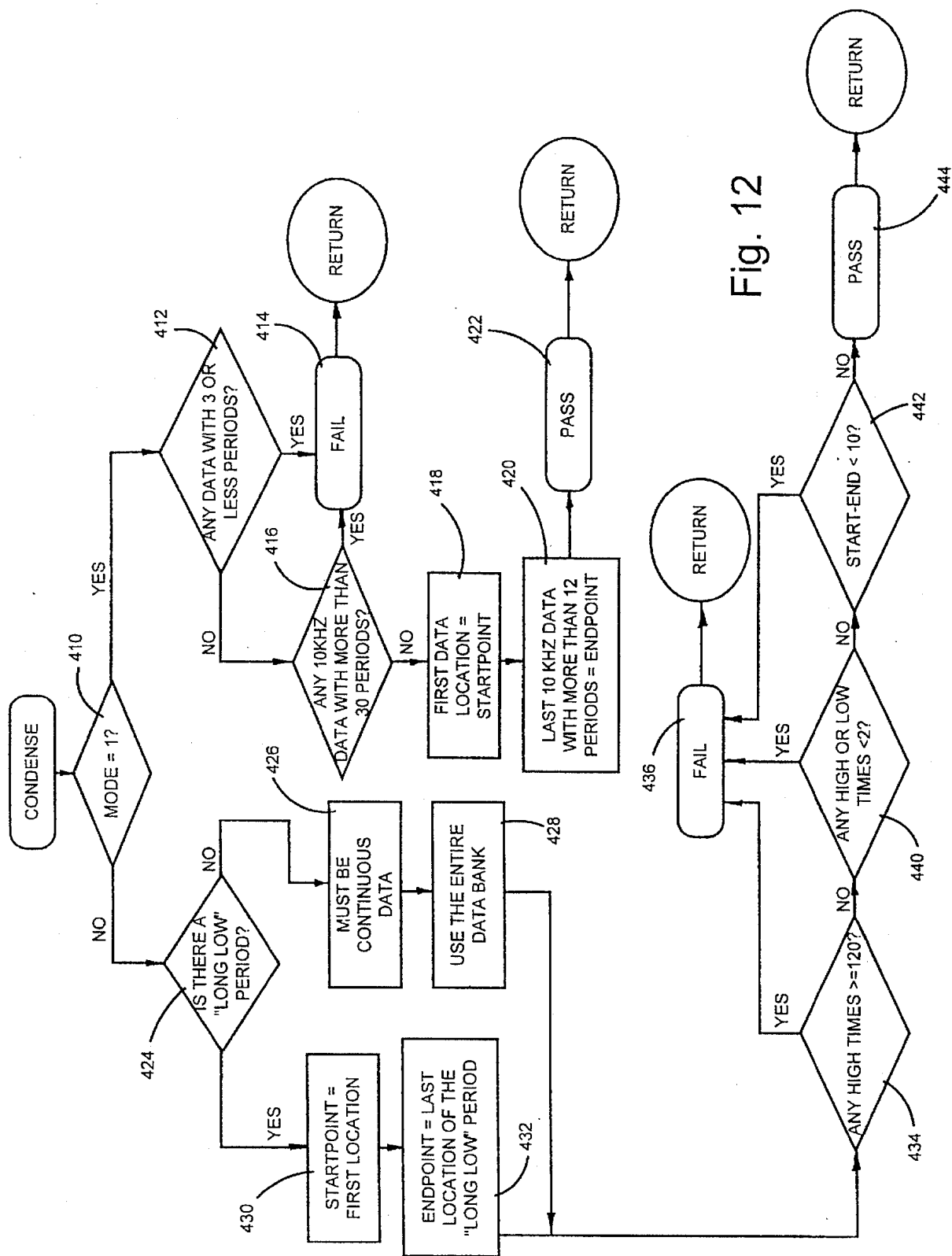


Fig. 12

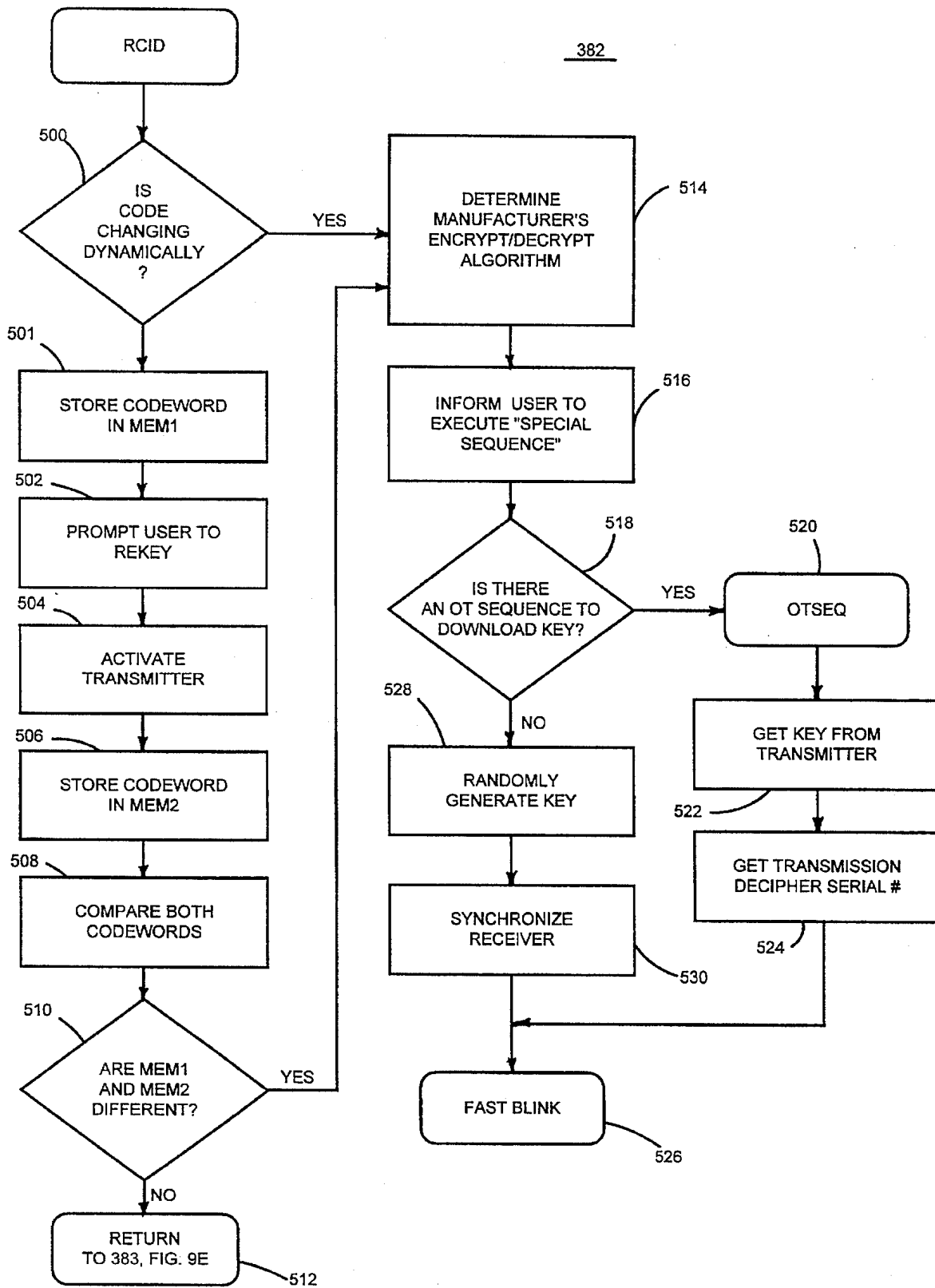


Fig. 13

TRAINABLE TRANSCEIVER CAPABLE OF LEARNING VARIABLE CODES

BACKGROUND OF THE INVENTION

The present invention relates to a trainable transceiver and particularly to a radio frequency (RF) trainable transceiver for training to an activation signal for a device employing a variable code.

Electrically operated garage door opening mechanisms are an increasingly popular home convenience. Such garage door opening mechanisms typically employ a battery-powered portable RF transmitter for transmitting a modulated and encoded RF signal to a separate receiver located within the homeowner's garage. Each garage door receiver is tuned to the frequency of its associated remote transmitter and demodulates a predetermined code programmed into both the remote transmitter and the receiver for operating the garage door. Conventional remote transmitters have consisted of a portable housing which typically is clipped to a vehicle's visor or otherwise loosely stored in the vehicle. Over a period of years of use in a vehicle, these remote transmitters are lost, broken, become worn, dirty, and their mounting to a visor is somewhat unsightly. Also, they pose a safety hazard if not properly secured within a vehicle.

To solve some of these problems, U.S. Pat. No. 4,247,850 discloses a remote transmitter incorporated into a vehicle's visor and U.S. Pat. No. 4,447,808 discloses a remote transmitter incorporated in the vehicle's rearview mirror assembly. Incorporating a remote transmitter permanently in a vehicle accessory requires an associated receiving unit tuned to the same frequency as the transmitter and responsive to its modulation scheme and code to be purchased and installed in the vehicle owner's home. Vehicle owners who already own a garage door receiving unit are reluctant to purchase a new receiving unit associated with the remote transmitter permanently incorporated in their vehicle. Moreover, if a vehicle owner purchases a new car it is likely the owner would have to replace the garage door receiver with another one associated with the built-in remote transmitter in the new vehicle.

U.S. Pat. No. 4,241,870 discloses a housing built in an overhead console of a vehicle for removably receiving a specially adapted garage door remote transmitter such that the vehicle's battery provides operating power to the remote transmitter. Thus, when a vehicle owner purchases a new car, the remote transmitter may be removed from the old car and placed in the new car. However, the housing in the overhead console is not mechanically adapted to receive existing garage door remote transmitters, and therefore, the vehicle owner must purchase a specially adapted remote transmitter and an associated receiver.

U.S. Pat. No. 4,595,228 discloses an overhead console for a vehicle having a compartment with a drop down door for removably receiving an existing garage door remote transmitter. The door includes a panel which is movable for actuating the switch of the stored existing remote transmitter. A problem with this approach, however, is that remote transmitters for garage door openers vary considerably in shape and size and it is difficult to provide a housing that is mechanically compatible with the various brands of remote transmitters.

To solve all of the above problems, a trainable transceiver has been developed for incorporation in a universal garage door opener to be permanently located in a vehicle and powered by the vehicle's battery. This trainable transceiver

is capable of learning the radio frequency, modulation scheme, and data code of an existing portable remote RF transmitter associated with an existing receiving unit located in the vehicle owner's garage. Thus, when a vehicle owner purchases a new car having such a trainable transceiver, the vehicle owner may train the transmitter to the vehicle owner's existing clip-on remote RF transmitter without requiring any new installation in the vehicle or home. Subsequently, the old clip-on transmitter can be discarded or stored.

If a different home is purchased or an existing garage door opener is replaced, the trainable transceiver may be retrained to match the frequency and code of any new garage door opener receiver that is built into the garage door opening system or one which is subsequently installed. The trainable transceiver can be trained to any remote RF transmitter of the type utilized to actuate garage door opening mechanisms or other remotely controlled devices such as house lights, access gates, and the like. It does so by learning not only the code and code format (i.e., modulation scheme), but also the particular RF carrier frequency of the signal transmitted by any such remote transmitter. After being trained, the trainable transceiver actuates the garage door opening mechanism without the need for the existing separate remote transmitter. Because the trainable transceiver is an integral part of a vehicle accessory, the storage and access difficulties presented by existent "clip-on" remote transmitters are eliminated. Two such trainable transceivers are disclosed in U.S. Pat. No. 5,442,340 entitled "TRAINABLE RF TRANSMITTER INCLUDING ATTENUATION CONTROL" and U.S. Pat. No. 5,475,366, and entitled "ELECTRICAL CONTROL SYSTEM FOR VEHICLE OPTIONS," the disclosures of which are incorporated by reference herein.

Due to the emergence of "code grabbers," who use portable single frequency trainable transmitting devices to learn a code transmitted by an unsuspecting victim for subsequent use in stealing a victim's car equipped with a remote keyless entry system or possibly breaking into a victim's house that has an RF actuated garage door opener, manufacturers of garage door opening mechanisms are considering implementing cryptographic algorithms that generate variable codes in their transmitters and in the associated receivers to decrease the likelihood that a code grabber may successfully enter someone's garage after memorizing a particular transmitted code. For example, if a variable code were utilized and a code grabber learned a single code transmitted from the owner's transmitter, the receiver of the system would not respond to the code subsequently transmitted by the code grabber since the receiver will, assuming the victim has subsequently used the system, only respond to a different code in accordance with the cryptographic algorithm.

Various cryptographic algorithms and methods of implementing such algorithms are known in the art of remote keyless entry systems for vehicles. A general description of such methods are disclosed in a publication entitled "Designing Codes for Vehicle Remote Security Systems" by John Gordon, dated October 1994, and published by Home Office, Police Scientific Development Branch, Sandridge, St. Albans, UK. Systems using variable codes send different codes on different occasions. In this paper, two types of time-varying codes are described—rolling codes and real-time codes. Rolling codes are codes that successively vary each time a code is transmitted by the transmitter in accordance with a cryptographic algorithm stored in the transmitter. In such systems, the receiver stores the same cryp-

tographic algorithm as the transmitter and recognizes each successive and different code transmitted by the transmitter as legitimate provided it corresponds to a code the receiver expects to be transmitted next in accordance with the cryptographic algorithm. To keep track of which code is to be transmitted or received next, sequential serial numbers are stored that identify which code was transmitted or received last, such that the next code will have associated therewith the next sequential serial number.

Real-time codes are codes that vary in accordance with a cryptographic algorithm at predetermined periodic intervals as measured by a real-time clock in each of the transmitter and receiver. To ensure such clocks are synchronized, the clock in the receiver may be re-synchronized each time a legitimate code is transmitted by the transmitter.

Synchronizing a rolling code presents its own problems because a new code is generated by the transmitter each time the transmitter is actuated for transmission. Thus, if the transmitter is actuated outside the range of the receiver, the receiver will expect a different code than the transmitter will subsequently transmit. Further, if the last transmitted code is stored in volatile memory and power is interrupted to either the transmitter or receiver, the transmitter and receiver become out of sync. There exists various methods of dealing with this problem, a few of which are described in the above-mentioned paper by John Gordon. In one method, the receiver may accept a code falling within a predefined window of subsequent codes that the transmitter may transmit in accordance with the cryptographic algorithm for rolling the code that was last transmitted. In no event would a code be accepted that is the same as that last transmitted since such a code could represent a learned code transmitted by a code grabber. The selected size of the window reflects a tradeoff between security and ease of use—the larger the window, the more likely the receiver will accept a randomly generated code resulting in a less secure system, the smaller the window the more likely that the system will become completely out of sync thereby frustrating the legitimate user.

Another method for dealing with the synchronization problem, is a two-entry re-synchronization method in which the receiver is programmed to accept any two consecutive legitimate codes if the first received code is not what the receiver expected. Thus, if the garage door fails to open following the first transmission due to an unexpected code, the user actuates the transmitter a second time causing the next successive code to be transmitted and causing the receiver to determine whether the two consecutively transmitted codes represent a legitimate combination in accordance with the cryptographic algorithm.

Yet another method of re-synchronizing a transmitter and receiver is to provide means for transmitting a re-synchronization or re-start signal from the transmitter by actuating a special push-button or combination of push-buttons. Still another method is to provide a push-button on the receiver, which, when actuated, causes the receiver to accept and re-synchronize on the next transmitted code from the transmitter.

Another way in which a transmitter and receiver could become out of sync is if more than one transmitter is used to activate the garage door. In this case, an ID code may be transmitted with each activation signal and the receiver may be adapted to recognize the transmitted ID and access a separate record corresponding to the ID to determine which code(s) is expected next from the transmitter with the transmitted ID.

Because the use of time-varying or other variable codes will hinder a would-be code grabber, thieves may attempt to open a garage door by scanning through codes until a code is transmitted that will actuate the garage door. To prevent this possibility a receiver may be programmed to refuse to accept a code after a predetermined number of unsuccessful attempts have been made to actuate the garage door. Scanning can also be inhibited by utilizing an extremely large range of codes by using a code word of 32 or more bits.

In the above-mentioned paper, Professor Gordon states that system designers should not assume that their cryptographic algorithms will remain a secret. Therefore, Professor Gordon recommends cryptographic algorithms that use a cryptographic key, which is unique to the set of transmitters and receivers for each particular system. Thus, even if a would be thief knows the cryptographic algorithm, the thief would also have to know the unique cryptographic key used by the algorithm as stored in the receiver. Such cryptographic keys would typically be stored in the transmitter and receiver but would normally not be transmitted by the transmitter or otherwise obtainable by a potential thief. Further, by utilizing a cryptographic key of 32 bits or more, the likelihood that a thief could guess the key is virtually impossible.

Because of the emergence of code grabbers, manufacturers of garage door opening systems will wish to make their systems as secure as possible. The more secure the system is, however, the more difficult it may be for the legitimate users of the system to train their vehicle's trainable transceiver to the codes that must be transmitted to actuate their garage door. Thus, the use of variable codes by manufacturers of garage door opening systems poses difficult problems in designing trainable transceivers that must be capable of transmitting a learned RF signal and in addition a code that varies. This problem not only raises difficulties for the manufacturers of vehicle-installed trainable transceivers, but also raises a tradeoff for the manufacturers of the garage door opening systems, who wish for their systems to be compatible with the vehicle-installed trainable transceivers and to be secure from code grabbers.

SUMMARY OF THE INVENTION

The present invention solves the above problems and provides a trainable transceiver capable of identifying a received signal as including a variable code. An aspect of the present invention is to provide a trainable transceiver that identifies a cryptographic algorithm used by a transmitter and an associated receiver based upon characteristics of a signal received from the transmitter. Another aspect of the present invention is to provide a trainable transceiver capable of learning and subsequently transmitting an activation signal to a receiver utilizing a cryptographic algorithm. Still another aspect of the present invention is to provide a trainable transceiver capable of receiving a cryptographic key and using the cryptographic key in a cryptographic algorithm corresponding to that used by the transmitter and the receiver of a garage door opening system. Another aspect of the present invention is to provide a trainable transceiver capable of learning a re-synchronization signal transmitted by a transmitter and capable of re-transmitting the re-synchronization signal to a receiver for synchronizing or re-synchronizing the trainable transceiver with the receiver.

To achieve these and other advantages, and in accordance with the purpose of the invention as embodied and described herein, the trainable transceiver of the present invention includes a receiver for receiving an activation signal from a

remote transmitter, a controller coupled to the receiver and operable in a learning and an operating mode. In the learning mode, the controller receives the activation signal, learns the transmitted RF frequency, and recognizes the presence of a variable code. It then identifies a prestored cryptographic algorithm based on the received code of the cryptographic algorithm used by the remote transmitter. The prestored algorithm corresponds to this transmitter's algorithm used to generate the variable code. The controller stores data identifying this cryptographic algorithm and the last transmitted code of the activation signal. In the operating mode, the controller generates an RF output signal modulated by data representing a next sequential code of the variable code using the identified cryptographic algorithm and the data representing the last transmitted code. The trainable transceiver further includes a signal generator coupled to the controller for receiving the output data from the controller and for transmitting a modulated RF signal, which corresponds in frequency to the received activation signal and includes a variable code recognizable by a receiver of the remote device for actuation thereof.

These and other features, objects, and benefits of the invention will be recognized by those who practice the invention and by those skilled in the art, from reading the following specification and claims together with reference to the accompanying drawing figures.

BRIEF DESCRIPTION OF THE DRAWINGS

FIG. 1 is a fragmentary perspective view of a vehicle interior having an overhead console for housing the trainable transceiver of the present invention;

FIG. 2 is a perspective view of a trainable transceiver of the present invention;

FIG. 3 is a perspective view of a visor incorporating the trainable transceiver of the present invention;

FIG. 4 is a perspective view of a mirror assembly incorporating the trainable transceiver of the present invention;

FIG. 5 is an electrical circuit diagram partly in block and schematic form of the trainable transceiver of the present invention;

FIG. 6A is an electrical circuit diagram partly in block and schematic form showing details of the circuit shown in FIG. 5;

FIG. 6B is an electrical circuit diagram in schematic form showing the details of the voltage controlled oscillator shown in FIG. 6A;

FIG. 7 is an electrical circuit diagram partly in block and schematic form showing the details of the phase-locked loop shown in FIG. 6A;

FIG. 8 is a flow diagram of the programming for the microcontroller shown in FIGS. 5 and 6A;

FIGS. 9A-9G is a flow diagram of the training sequence performed by the microcontroller shown in FIGS. 5 and 6A;

FIG. 10 is a flow diagram of a data verification subroutine utilized during the training programming performed by the microcontroller shown in FIGS. 5 and 6A;

FIGS. 11A-11B is a flow diagram of an encoding subroutine utilized by the training programming performed by the microcontroller shown in FIGS. 5 and 6A;

FIG. 12 is a flow diagram of a condensing subroutine utilized in the training programming performed by the microcontroller shown in FIGS. 5 and 6A; and

FIG. 13 is a flow diagram of a rolling code identification (RCID) and training subroutine utilized in the training program performed by the microcontroller shown in FIGS. 5 and 6A.

DETAILED DESCRIPTION OF THE PREFERRED EMBODIMENTS

FIG. 2 shows a trainable transceiver 43 of the present invention. Trainable transceiver 43 includes three push button switches 44, 46, and 47, a light emitting diode (LED) 48, and an electrical circuit board and associated circuits that may be mounted in a housing 45. As explained in greater detail below, switches 44, 46, and 47 may each be associated with a separate garage door or other device to be controlled. Trainable transceiver housing 45 is preferably of appropriate dimensions for mounting within a vehicle accessory such as an overhead console 50 as shown in FIG. 1. In the configuration shown in FIG. 1, trainable transceiver 43 includes electrical conductors coupled to the vehicle's electrical system for receiving power from the vehicle's battery. Overhead console 50 includes other accessories such as map reading lamps 52 controlled by switches 54. It may also include an electronic compass and display (not shown).

Trainable transceiver 43 may alternatively be permanently incorporated in a vehicle accessory such as a visor 51 (FIG. 3) or a rearview mirror assembly 53 (FIG. 4). Although trainable transceiver 43 has been shown as incorporated in a visor and mirror assembly and removably located in an overhead console compartment, trainable transceiver 43 could be permanently or removably located in the vehicle's instrument panel or any other suitable location within the vehicle's interior.

System Hardware

FIG. 5 shows the electrical circuit of trainable transceiver 43 in block and schematic form. Trainable transceiver 43 includes a conventional switch interface circuit 49 connected to one terminal of each of the push button switches 44, 46, and 47, which each have their remaining terminal coupled to ground. Interface circuit 49 couples signal information from switches 44, 46, and 47 to the input terminals 62 of a microcontroller 57, which is part of trainable transceiver circuit 55. A power supply 56 is conventionally coupled to the vehicle's battery 60 through connector 61 and is coupled to the various components of trainable transceiver circuit 55 for supplying their necessary operating power in a conventional manner. In addition to microcontroller 57, transceiver circuit 55 includes a radio frequency (RF) circuit 58 coupled to microcontroller 57 and to an antenna 59.

As described above, switches 44, 46, and 47 may each correspond to a different device to be controlled such as different garage doors, electrically operated access gates, house lighting controls or the like, each of which may have their own unique operating RF frequency, modulation scheme, and/or security code. Thus, switches 44, 46, and 47 correspond to a different radio frequency channel for trainable transceiver 43. Once the RF channel associated with one of switches 44, 46, and 47 has been trained to an RF activation signal B transmitted from a portable, remote transmitter 65 associated with a garage door opener 66 (for example), transceiver 43 will then transmit an RF signal T having the same characteristics as activation signal B to actuate a device such as garage door opener 66 when the corresponding switch (44, 46, 47) is momentarily depressed. Thus, by identifying and storing the carrier frequency, modulation scheme, and data code of a received RF activation signal B originating from a remote transmitter 65, transceiver 43 may subsequently transmit an RF signal T having the identified characteristics of RF signal B that are necessary to activate a device such as garage door opener 66. Each RF channel may be trained to a different RF signal B such that a plurality of devices in addition to a garage door opener 66 may be activated by depressing a corresponding

one of switches 44, 46, and 47. Such other devices may include additional garage door openers, a building's interior or exterior lights, a home security system, or any other household appliance capable of receiving an RF control signal.

Microcontroller 57 includes data input terminals 62 for receiving signals from switch interface 49 indicative of the closure states of switches 44, 46, and 47. An additional input terminal 62a may be provided for receiving input data from other sources, such as a serial connector terminal for receiving downloaded information, a voice actuated circuit, or from a vehicle data entry system. An example of such a vehicle data entry system is disclosed in U.S. Pat. No. 5,555,172 entitled "USER INTERFACE FOR CONTROLLING ACCESSORIES AND ENTERING DATA IN A VEHICLE," the disclosure of which is incorporated by reference herein. Input terminal 62a is provided to receive data input by the user directly or from some other source. Such data may include a programming command, a cryptographic key, an identification of the make and/or model of the remote transmitter 65, or the cryptographic algorithm itself.

Microcontroller 57 additionally has an output coupled to an LED 48, which is illuminated when one of switches 44, 46, and 47 is closed. Microcontroller 57 is programmed to provide signals to LED 48 to slowly flash when the circuit enters a training mode for one of the RF channels associated with switches 44, 46, and 47, to rapidly flash when a channel is successfully trained, and to slowly flash with a distinctive double blink to prompt an operator to re-actuate the remote transmitter. Alternatively, LED 48 may be a multi-color LED that changes color to indicate when a channel is successfully trained or to prompt the operator to re-actuate the remote transmitter. Once trainable transceiver 43 is trained, LED 48 lights continuously upon action of a switch 44, 46, or 47 during its depression to indicate to the user that the transceiver is transmitting a signal T.

Microcontroller 57 may also include a terminal 62b for coupling to a display device 64 such as that disclosed in the above-mentioned U.S. Pat. No. 5,555,172, to provide a user interface for prompting a user to perform certain operations during the training and operation of the trainable transceiver. For example, microcontroller 57 may display a message to a user to perform a re-synchronization training or transmitting operation if required to synchronize the trainable transceiver with the receiver of the garage door opening mechanism 66. Further, microcontroller 57 may also display a message prompting the user to re-actuate a transmitting switch on remote transmitter 65 to determine whether the transmitting code has changed to thus identify the presence of a variable code. Additionally, microcontroller 57 may display a message indicating that the received signal was successfully trained and to display additional messages useful in leading the operator through a training sequence.

FIG. 6A shows the details of transceiver circuit 55, which includes microcontroller 57, RF circuit 58, and antenna 59. Microcontroller 57 includes a non-volatile memory (NVM) and a random access memory (RAM) and may include any suitable commercially available integrated circuit such as a MC6805P4 integrated circuit available from Motorola.

Antenna 59 is preferably a dynamically tunable antenna including a small loop antenna 70 having one terminal coupled to ground and another terminal coupled to the anode of a varactor diode 71. Varactor diode 71 changes the impedance characteristics of loop antenna 70 in response to a control voltage applied to the cathode of varactor diode 71 and thereby changes the resonance frequency of small loop

antenna 70. This control voltage is determined by microcontroller 57, which provides an antenna control digital output signal to the input terminals 72' of a digital-to-analog (D/A) converter 72 that is coupled to the cathode of varactor diode 71. By using an antenna that is dynamically tuned, one may program microcontroller 57 to selectively adjust the resonance frequency of antenna 59 to maximize its transmission and reception characteristics for each particular frequency at which an RF signal is transmitted or received.

Thus, antenna 59 may be dynamically tuned to maximize the efficiency at which antenna 59 converts a received electromagnetic RF signal to an electrical signal during a receive mode and the efficiency at which antenna 59 radiates a transmitted electromagnetic RF signal in a transmit mode. Additionally, when antenna 59 is dynamically tuned to a resonance frequency corresponding to the carrier frequency of the transmitted signal, antenna 59 can remove unwanted harmonics from the signal to be transmitted. Preferably, loop antenna 70 is disposed perpendicular to the vehicle's roof to take advantage of the reflective properties of the roof thereby increasing the transmission range and sensitivity of the transceiver when located in a vehicle. The manner in which microcontroller 57 controls antenna 59 is described below in connection with the flow diagram shown in FIG. 8.

Coupled to antenna 59 for transmitting learned RF control signals is an RF circuit 58, which includes a voltage controlled oscillator (VCO) 73 having a control input terminal coupled to a data output terminal of microcontroller 57 for controlling the frequency output by VCO 73. The detailed construction of a VCO suitable for use in the present invention is shown in FIG. 6B.

VCO 73 includes two portions—an oscillator 103, which outputs a sinusoidal signal that may be modulated by ASK data, and an LC resonator 104, which provides a variable frequency resonating signal to oscillator 103. Oscillator 103 includes an oscillating transistor 110 having a collector coupled to a positive source voltage V_{EE} , a base coupled to a first terminal of a capacitor 112, and an emitter coupled to ground via a switching transistor 114. A buffer transistor 116 has a base coupled to a second terminal of capacitor 112, a collector coupled to a positive source voltage V_{EE} , and an emitter coupled to a first terminal of a resistor 118, which has a second terminal connected to ground via switching transistor 114. Switching transistor 114 has its base coupled to receive ASK data from microcontroller 57 such that switching transistor 114 selectively couples the emitters of transistors 110 and 116 to ground. Thus, switching transistor 114 selectively modulates the signal at VCO output 73' provided at the emitter of buffer transistor 116.

LC resonator 104 includes a first coupling capacitor 120 having one terminal coupled to the base of oscillating transistor 110 and another terminal coupled to a first terminal of an inductor 122. A second coupling capacitor 124 has one terminal coupled to the emitter of oscillating transistor 110 and another terminal coupled to the cathodes of first and second varactor diodes 126 and 128. The anode of first varactor diode 126 is coupled to the first terminal of inductor 122 and first coupling capacitor 120 and the anode of second varactor diode 128 is coupled to a second terminal of inductor 122, which is coupled to ground. Varactor diodes 126 and 128 and inductor 122 form a resonating LC circuit having a variable resonant frequency that is varied by varying the voltage applied to the cathodes of varactor diodes 126 and 128 via a resistor 130 coupled to a voltage control terminal 73".

RF circuit 58 further includes a variable gain amplifier (VGA) 74 having an input coupled to an output of VCO 73

applies signals to the input of a transmit amplifier 77 through a coupling circuit 76. An output capacitor 78 is coupled between an output of transmit amplifier 77 and the cathode of varactor diode 71.

RF circuit 58 additionally includes a capacitor 80 coupled to the cathode of varactor diode 71 for coupling a mixer 79 to antenna 59. A buffer amplifier 81 has an input coupled to an output of VCO 73 and applies signals therefrom to one input of mixer 79 having its remaining input terminal coupled to capacitor 80 for receiving signals from antenna 59. A bandpass filter 82 has an input coupled to receive signals from an output of mixer 79 and has an output coupled to an input of an amplifier 83. Bandpass filter 82 preferably has a narrow bandwidth and a center frequency of 3 MHz to pass a data signal having a 3 MHz frequency component while blocking all other signals output from mixer 79.

The output of amplifier 83 is coupled to the input of an integrator 84 having an output coupled to a data input terminal of microcontroller 57. Integrator 84 integrates and rectifies the signal supplied from amplifier 83 to remove the 3 MHz frequency component from the signal and to provide a demodulated representation of the data code of the remote transmitter to microcontroller 57.

In addition, RF circuit 58 includes a serial port and control logic circuit 75 having inputs terminals coupled to a serial data address (SDA) line 75' and a serial control logic (SCL) line 75". VCO output 73' is also coupled to an input of buffer 91 having its output coupled to a feedback input of a phase-locked loop circuit 85. A reference oscillator including a crystal 86 having first and second terminals coupled across an amplifier 87 and to comparator amplifier 88. The reference oscillator 86 is thus coupled to a clock input of controller 57 and to phase-locked loop circuit 85 for supplying a reference signal to be compared with the signal output from VCO 73.

RF circuit 58 also includes a low pass filter 89 having an input terminal coupled to an output 85' of phase-locked loop circuit 85 for holding a control voltage that is applied to a voltage control terminal 73" of VCO 73 via a voltage control buffer 90.

VCO 73 outputs an RF signal having a frequency that may be adjusted by varying the voltage applied to its voltage control terminal 73". The RF signal output from VCO 73 is modulated with amplitude shift-keyed (ASK) data provided by microcontroller 57 when operating in a transmit mode. The modulated RF output signal of VCO 73 is applied to VGA 74. VGA 74 variably amplifies the modulated RF signal supplied from VCO 73 in proportion to a GAIN control signal provided by serial port and control logic circuit 75 in response to control signals sent by microcontroller 57 over the SCL line 75" and the SDA line 75'. VGA 74 may be implemented with a pair of differential amplifiers and a digitally controlled current diverter that diverts current from one of the differential amplifiers to the other differential amplifier thereby selectively decreasing the gain of VGA 74. As described in greater detail below, the gain level of VGA 74 is determined as a function of the duty cycle and frequency of the signal to be output from VCO 73.

The gain-adjusted output of VGA 74 is supplied to coupling circuit 76, which filters undesirable harmonics from the RF signal output from VGA 74. Preferably, coupling circuit 76 includes a 22 ohm resistor coupled in series with a 470 pF capacitor. The filtered output signal of coupling circuit 76 is then provided to transmit amplifier 77, which amplifies the filtered output to an appropriate transmission level. The output of transmission amplifier 77 is

provided to antenna 59 via output capacitor 78, which preferably has a capacitance of 470 pF.

Previous systems have used a variable attenuator to reduce the power of the signal output from a relatively high power VCO. However, such systems tend to transmit undesirable harmonic components with the desired activation signal. It is desirable to remove these harmonic components from the RF signal output by VCO 73 because the output energy level of such harmonic components transmitted from antenna 59 must be considered in computing an allowable output energy level under FCC guidelines. In other words, the greater the amplitude of harmonic frequency components output from antenna 59, the lower the transmitted amplitude of the desired carrier frequency component may be. Thus, the use of VGA 74, coupling circuit 76, and transmit amplifier 77, which amplify and filter a low power RF signal output from VCO 73, offers a distinct advantage over a transmission circuit utilizing a variable attenuator for attenuating a relatively high power output RF signal from a VCO.

Mixer 79 mixes received RF signals from antenna 59 with a reference RF signal generated by VCO 73 and supplied to mixer 79 through buffer 81. The output of mixer 79 includes several signal components including one component representing the received RF signal but having a carrier frequency equal to the difference of the carrier frequency of the received RF signal and the frequency of the RF reference signal generated by VCO 73. The output signal of mixer 79 is applied to the input of bandpass filter 82, which preferably has a narrow bandwidth centered about a frequency of 3 MHz such that bandpass filter 82 outputs an encoded data signal only when the frequency of the RF reference signal generated by VCO 73 is 3 MHz above or below the carrier frequency of the received RF signal. Thus, the remaining signal components of the output of mixer 79 are blocked by bandpass filter 82. The encoded output data signal from bandpass filter 82 is amplified by amplifier 83 and integrated by integrator 84 to provide a signal having the same data code as that output from a remote transmitter 65 (FIG. 5). A suitable mixer, amplifier, and integrator for use in the present invention are disclosed in U.S. Pat. No. 5,442,340, entitled "TRAINABLE RF TRANSMITTER INCLUDING ATTENUATION CONTROL," the disclosure of which is incorporated by reference herein.

The data signal output from integrator 84, which is typically amplitude shift-keyed (ASK) data, also has the same data format as the RF activation signal B transmitted by remote transmitter 65. The ASK data output from integrator 84 is provided to microcontroller 57 for further processing and storage. The manner in which microcontroller 57 processes and stores this ASK data and controls RF circuit 58 is described in greater detail below following a description of the portion of RF circuit 58 that provides a voltage control signal to VCO 73.

The portion of RF circuit 58 that supplies the voltage control signal to VCO 73 includes phase-locked loop circuit 85, reference oscillator 86, amplifier 87, comparator amplifier 88, low pass filter 89, voltage control buffer 90, and a VCO output buffer 91. The manner in which this portion of RF circuit 58 operates is described with reference to FIG. 7, which shows the detailed construction of the phase-locked loop circuit 85. Phase-locked loop circuit 85 includes a divide-by-R register 92 having an input coupled to the second terminal of reference oscillator 86. A divide-by-N register 93 has an input coupled to the output of VCO output buffer 91. The outputs of registers 92 and 93 are coupled to input terminals of a phase/frequency detector 94 having an

output coupled to the input of a control logic circuit 95. Control logic circuit 95 in turn has a pair of terminals coupled to inputs of a sink/source switch circuit 98 having an output terminal coupled to the input of low pass filter 89. Preferably, low pass filter 89 includes a 560Ω resistor coupled to the output of phase-locked loop circuit 85, a 1.2 μF capacitor coupled in series with the 560Ω resistor, and a 0.1 μF capacitor connected in parallel with the 560Ω resistor and the 1.2 μF capacitor.

The primary purpose of phase-locked loop circuit 85 is to compare the frequency of the RF signal output by VCO 73 with that of reference oscillator 86 and to control the voltage applied to the voltage control terminal of VCO 73 such that the frequency of the RF signal output by VCO 73 has a predetermined relationship to the frequency of reference oscillator 86. The predetermined relationship between the frequencies of these respective signals is a ratio of two variables R and N supplied to divide-by-R register 92 and divide-by-N register 93, respectively, from microcontroller 57 via serial port and control logic circuit 75. Mathematically, the relationship between the frequency f_{VCO} of the RF signal output by VCO 73 and the frequency f_{REF} of the signal output by reference oscillator 86 may be expressed as follows:

$$f_{VCO} = \frac{N}{R} f_{REF}$$

where f_{REF} is a constant value of, for example, 4 MHz. Thus, using $f_{REF}=4$ MHz and $R=4$, the frequency f_{VCO} may be controlled to be equal to N MHz. If f_{REF} and R constant are held constant, increasing the value N increases the frequency f_{VCO} accordingly. If the value of R is increased, the frequency f_{VCO} may be more finely controlled. On the other hand, the smaller the value of R, the greater the range in which f_{VCO} may operate. Preferably, the values of R and N are provided as eight bits of data.

The outputs of divide-by-R register 92 and divide-by-N register 93 are supplied to phase/frequency detector 94, which compares the frequency of the signal output from divide-by-N register 93 with the frequency output from divide-by-R register 92 and provides output pulses corresponding to the difference in frequency. Phase/frequency detector 94 may be constructed in any conventional manner. If these respective frequencies are the same, phase/frequency detector 94 outputs pulsed control signals to switches 99 and 100 of sink/source switch circuit 98 such that both switches 99 and 100 remain open. When both of switches 99 and 100, which may be solid state switches such as CMOS or bipolar transistors, of sink/source switch circuit 98 are both held open, the voltage applied to the voltage control terminal of VCO 73 is held constant by buffer 90 and the voltage stored by the capacitors in low pass filter 89.

When the frequency of the signal output from divide-by-N register 93 is less than the frequency of the signal output from divide-by-R register 92, phase/frequency detector 94 supplies pulsed control signals to switches 99 and 100 causing switch 99 to close and switch 100 to remain open. When switch 99 is closed, a voltage V_{CC} of five volts, for example, is applied to the capacitor of low pass filter 89 thereby increasing the voltage applied to the voltage control terminal of VCO 73. The increased voltage at the voltage control terminal of VCO 73 causes VCO 73 to increase the frequency of its output RF signal, which, in turn, increases the frequency of the signal output by divide-by-N register 93. When the frequencies of the signals output from divide-by-R register 92 and divide-by-N register 93 are the same, phase/frequency detector 94 provides control signals to

switches 99 and 100 to open switch 99 and to maintain switch 100 in an open position.

If the frequency of the signal output from divide-by-N register 93 is greater than the frequency of the signal output from divide-by-R register 92, phase/frequency detector 94 outputs control signals to switches 99 and 100 causing switch 99 to remain open and switch 100 to close. When switch 100 is closed, the capacitor in low pass filter 89 is connected ground and, thus, discharges. The discharging of the capacitor in low pass filter 89 decreases the voltage applied to the voltage control terminal of VCO 73, which causes VCO 73 to reduce the frequency of the output RF signal. Thus, the frequency of the output signal from divide-by-N register 93 is decreased until phase/frequency detector 94 determines that the frequencies of the signals output from divide-by-R register 92 and divide-by-N register 93 are the same.

Control logic circuit 95 is provided to selectively connect and disconnect phase/frequency detector 94 from sink/source switch circuit 98 in accordance with the logic level of the ASK data read from the memory of microcontroller 57 during a transmit mode. During a transmit mode, microcontroller 57 enables and disables VCO 73 using the ASK data stored in its memory for the selected channel in order to modulate the ASK data onto the carrier RF signal generated by VCO 73 for transmitting the learned data code. When VCO 73 is disabled by the ASK data, the frequency of the signal output from VCO 73 as detected by phase-locked loop circuit 85 falls to zero. If appropriate means were not provided in phase-locked loop circuit 85, phase/frequency detector 94 would control sink/source switch circuit 98 such that the frequency control voltage applied to VCO 73 is significantly increased when VCO 73 is disabled. Then, upon being enabled, VCO 73 would initially begin transmission at a carrier frequency far exceeding that which is desired. In order to prevent phase-locked loop circuit 85 from dramatically increasing the frequency of VCO 73 during a disabled state, control logic circuit 95 is provided to selectively disconnect phase/frequency detector 94 from sink/source switch circuit 98 when the ASK data is at a level which disables VCO 73.

In order to maintain the phase relationship between the signals output from divide-by-R register 92 and divide-by-N register 93 following a disablement of VCO 73, the ASK data read from the memory of microcontroller 57 during a transmit mode is provided to enable and disable divide-by-R register 92 and divide-by-N register 93 in synchronism with VCO 73, which is also enabled and disabled by the ASK data signal.

To prevent transmission of signals during a learning mode, serial port and control logic circuit 75 (FIG. 6A) controls the enablement and disablement of VGA 74 and transmit amplifier 77 by applying a transmit control signal TX. Similarly, serial port and control logic circuit 75 provides a receive control signal RX, which is applied to selectively enable and disable mixer 79, receive buffer 81, amplifier 83, and integrator 84 as shown by the dashed line enable inputs of FIG. 6A.

RF circuit 58 is preferably incorporated into an application-specific integrated circuit (ASIC) 101 manufactured employing existing integrated circuit technology. In the preferred embodiment shown in FIG. 6A, the following elements are provided on a substrate 102 of ASIC 101: VGA 74; transmit amplifier 77; mixer 79; receive buffer 81; amplifier 83; integrator 84; phase-locked loop circuit 85; amplifier 87; comparator 88; voltage control buffer 90; and the oscillator portion 103 of VCO 73. Although coupling circuit 75, output capacitor 78, input capacitor 80, bandpass

filter 82, reference oscillator 86, low pass filter 89, and the LC resonator portion 104 of VCO 73 are not shown as being incorporated into ASIC 101 to avoid including relatively large capacitors within substrate 102, these elements could nevertheless be included in ASIC 101.

System Operation

Having described the electrical circuit elements of transceiver circuit 55, the manner by which microcontroller 57 controls transceiver circuit 55 is now discussed with reference to FIGS. 8, 9A-9G, 10, 11A-11B, 12, and 13. In FIGS. 9A-9G, the transfer ports of the flow diagram are referenced by a letter optionally followed by a number. The reference letter refers to the letter portion of the drawing figure number following FIG. 9. For example, the transfer port labelled C illustrates a transfer in the process to a transfer entry port labelled C in FIG. 9C. The optional number following the reference letter represents one of a plurality of entry points into the process illustrated in the drawing figure corresponding to the reference letter. For example, the transfer port labelled E1 illustrates a transfer to the process shown in FIG. 9E at the transfer entry port labelled E1.

As indicated in the test of block 200 (FIG. 8), operation begins when one of push button switches 44, 46, and 47 is actuated. Upon detecting that one of switches 44, 46, and 47 has been depressed, microcontroller 57 receives a signal through interface 49 (FIG. 5) and initializes its ports and its random access memory (RAM) as indicated in block 202. Next, the program begins a twenty second timer (block 204) and reads the channel corresponding with the switch 44, 46, and 47 that has been depressed (block 206). Next, the program for microcontroller 57 determines whether the selected channel has been trained (block 208). If the selected channel has previously been trained, microcontroller 57 downloads the data associated with the selected channel into its RAM (block 210), sets the gain of VGA 74 and the frequency to be output by VCO 73, and tunes antenna 59 in accordance with the data associated with the selected channel (block 212). Microcontroller 57 sets the frequency of VCO 73 by providing the appropriate output signals representing values of R and N to divide-by-R register 92 and divide-by-N register 93 via serial port and central logic circuit 75.

Microcontroller 57 sets the gain of VGA 74 by providing a control signal to serial port and control logic circuit 75 over the SCL and SDA lines. The GAIN control signal provided to a gain control input of VGA 74 may consist of a five-bit value, thus providing thirty-two possible gain levels. Because the FCC mandates allow different power levels based upon the duty cycle of the transmitted signal, it is advantageous for the trainable transceiver to be capable of dynamically adjusting the gain of the transmitted signal. Therefore, by providing a number of possible gain levels, transceiver 43 can transmit at the maximum allowable power level for each different frequency and encoded signal it may transmit.

To optimize the appropriate gain level for a given transmitted activation signal, microcontroller 57 first looks at the frequency of the signal to be transmitted to determine its relative power. Assuming that each of the thirty-two possible gain levels correspond to a different integer between 0 and 32 with 0 representing the maximum gain adjustment and 32 representing the minimum gain adjustment, microcontroller 57 selects an initial gain level based upon the frequency of the signal to be transmitted. For example, microcontroller 57 may select an initial gain level of 5 for a strong powered signal and select an initial gain level of 0 for a relatively weak powered signal. Then, microcontroller 57 determines

the duty cycle of the code by taking a predetermined number of total samples of the code within a predetermined period of time, counting the number of samples of the code having a high logic level, multiplying the counted number of samples having a high logic level by a predefined constant to determine a product, and dividing the product by the predetermined number of total samples. Microcontroller 57 adjusts the selected initial gain level based upon the duty cycle. For example, if the initial gain level is 5, microcontroller 57 adjusts the gain level to a level falling between 5 and 32 where the lowest gain level (32) corresponds to the highest duty cycle and the highest gain level (5) not exceeding the initial gain level corresponds to the lowest duty cycle. Microcontroller 57 may also select a gain level based upon a determination of whether the data code is fast or slow. An example of how a duty cycle of a code signal may be determined and an output power level may be selected based upon the duty cycle and frequency of the signal to be transmitted is disclosed in U.S. Pat. No. 5,442,340, the disclosure of which is herein incorporated by reference. The manner by which microcontroller 57 determines that the data code provided in the received activation signal is fast or slow is described below.

The gain of VGA 74 preferably may be varied between 15 and 20 dB, and transmit amplifier 77 preferably has a gain of 25 dB. Together, VGA 74 and transmit amplifier 77 provide a variable gain of 10 dB. Preferably, the output power of transceiver 43 is between 0 and 5 dBm.

Microcontroller 57 tunes antenna 59 by providing antenna control data to D/A converter 72. The antenna control data preferably has an eight-bit value, which may be computed from the frequency of VCO 73 or read from a table including a list eight-bit values associated with various frequencies that may be output from VCO 73. In general, the voltage output from D/A converter 72 is controlled to vary from 0.5 to 4.5 V linearly with respect to a 220 to 440 MHz frequency range. Thus, each increment in the eight-bit value provided by microcontroller 57 represents about a 15.6 mV increment in the output voltage of D/A converter 72. The eight-bit antenna control data may be previously stored in association with the selected channel or may be computed from the frequency data after the data is read from memory. The capacitance of varactor diode 71 varies linearly and inversely to the voltage applied to its cathode. For example, varactor diode 71 may have a capacitance of 14 pF when the applied voltage is 0.5 V and a capacitance of 2.4 pF when the applied voltage is 4.5 V. In this manner, small loop antenna 70, which has a relatively small bandwidth for receiving and transmitting signals, may be tuned to have a resonance frequency matching the carrier frequency of a transmitted or received signal such that it more efficiently receives an RF activation signal from a remote transmitter and radiates the RF transmit signal provided from transmit amplifier 76. By providing the capability of dynamically tuning antenna 59 and varying the gain of the output signal as applied to the cathode of varactor diode 71 through output capacitor 78, trainable transceiver circuit 55 maintains a matched impedance of antenna 59 and the output impedance of RF circuit 58.

After setting the gain of VGA 74, the frequency of VCO 73, and the tuning of antenna 59 as indicated in block 212 (FIG. 8), the microcontroller 57 determines whether the code for the selected channel is a fixed code or a variable code (block 213). This determination may be made based upon the setting of a flag at the time the activation signal is learned. If the code is a fixed code, microcontroller 57 reads the data code stored in memory in association with the

selected channel (block 214) and provides this ASK data to VCO 73 and phase-locked loop circuit 85 to modulate the RF signal generated by VCO 73 by disabling and enabling VCO 73 with the ASK data (block 216). On the other hand, if the code is a variable code, microcontroller 57 will read the data stored for the selected channel that identifies the appropriate cryptographic algorithm, the cryptographic key (if any), and the serial number of the last transmitted code. Next, microcontroller 57 will execute the identified cryptographic algorithm, which may be stored in its NVM or some other memory that is preferably non-volatile, to generate the code to be transmitted to the receiver of the garage door opening mechanism (block 215). If the variable code is a real-time code, microcontroller 57 may read the time from an internal or external clock to determine the appropriate code to transmit based upon the time in a manner defined by the cryptographic algorithm. If more than one transmitter may be used to actuate the garage door, microcontroller 57 will also include an ID tag in the generated code identifying the trainable transceiver as the transmitter from which the activation signal was learned.

After generating or reading the code to transmit, microcontroller 57 instructs serial port and control logic circuit 75 to output a transmit signal TX to VGA 74 and transmit amplifier 77 to enable the transmission of the modulated RF output signal of VCO 73 as indicated by block 216.

While performing the above steps, microcontroller 57 monitors the twenty second timer to determine whether the push button switch that was depressed has been continuously depressed for a twenty second interval (block 217). If the twenty second interval has not expired, microcontroller 57 continues to transmit the RF signal associated with the selected channel (block 216). If microcontroller 57 determines in block 217 that the switch that was depressed has been continuously depressed for the twenty second interval, or if microcontroller 57 determines in block 208 that the channel associated with the depressed switch has not been trained, microcontroller 57 begins a training sequence that begins in block 218 (FIG. 9A). Before describing the detailed procedure performed by microcontroller 57 in the training mode, a general overview is provided below.

During a training sequence, microcontroller 57 provides frequency control data representing the values R and N for an initial frequency to phase-locked loop circuit 85 (FIG. 6A), and looks for the presence of received data on an RF transmitted signal B (FIG. 5) which is received by antenna 59, processed through mixer 79, bandpass filter 82, and amplifier 83 and applied to microcontroller 57 from integrator 84. Upon receiving the frequency control data, phase-locked loop circuit 85 provides a frequency control voltage to a frequency control terminal of VCO 73. VCO 73 generates a reference signal having a reference frequency corresponding to the frequency control voltage and provides the reference signal to mixer 79. If the reference frequency has a predetermined relationship to the carrier frequency of the received RF activation signal B, integrator 84 provides the code signal of the received activation signal to microcontroller 57. In the preferred embodiment, the predetermined relationship will exist when the difference between the reference frequency and the carrier frequency of the received activation signal is 3 MHz.

If microcontroller 57 does not receive a code signal from integrator 84 for the initial frequency, microcontroller 57 in the next loop selects another frequency and provides phase-locked loop circuit with frequency control data corresponding to the new frequency. Microcontroller 57 continues to select new frequencies in this manner until a code signal is

detected as indicated by a signal from integrator 84. Microcontroller 57 affirms the presence of a code signal using a verification routine, which counts the number of rising edges appearing in any signal received from integrator 84 during a predetermined time interval and determines that data is present when the counted number of rising edges exceeds a threshold level. The verification subroutine is described in greater detail below.

Upon detecting a code signal, which preferably occurs when the reference frequency is 3 MHz below the carrier frequency of the received activation signal, microcontroller 57 stores the frequency control data corresponding to the carrier frequency of the received activation signal, and increases the reference frequency by 3 MHz. Ideally, the code signal should disappear at this frequency, however, if the code signal does not disappear at this frequency, microcontroller 57 attempts to encode the code signal it is still receiving at this frequency in order to determine whether the code signal is merely noise attributable to the code signal detected at the frequency 3 MHz lower or whether the code signal detected at this frequency more than mere noise.

By attempting to encode the code signal, microcontroller 57 can perform a more rigorous test on the code signal to determine whether the code signal is legitimate. As will be described in greater detail below, microcontroller 57 attempts to encode the code signal using an ENCODE subroutine, which further analyzes the code signal to identify its modulation scheme and stores the code signal in memory using the most appropriate encoding technique for the identified modulation scheme of the code signal. If the Encode subroutine can identify the modulation scheme of the code signal and store the code signal, the attempt to encode the code signal is deemed successful.

If the code signal received at this increased frequency, which corresponds to the frequency of the received activation signal, is successfully encoded, microcontroller 57 determines that the code signal received at both the initial frequency and the increased frequency is not legitimate because, based on empirical data, a legitimate code signal should not be encodable at two frequencies 3 MHz apart. Having determined that the code signal at this frequency is not legitimate, the program executed by microcontroller 57 selects a new frequency and repeats the above process until a legitimate code signal is detected.

If a code signal is not detected or if a non-encodable code signal is detected at the frequency 3 MHz above the frequency at which the code signal was first detected, microcontroller 57 increases the frequency another 3 MHz and looks for a code signal. Ideally the code signal that disappeared at the previous frequency will reappear at this increased frequency since it is 3 MHz different than the transmitter frequency B and the frequency difference component output from mixer 79 passes through bandpass filter 82. If the code signal reappears, microcontroller 57 changes the reference frequency to the frequency at which the code signal was first detected (i.e., at 3 MHz below the frequency of the activation signal B), and encodes and stores the code signal. In general, microcontroller 57 stores the code signal by sampling the signal at a relatively high sampling rate such as one sample per 68 microseconds. Different sampling rates may be selected for different code signals based upon detected characteristics to the code format of the received code signal. In this manner, microcontroller 57 may reproduce the code signal during a transmit mode, by reading the stored code signal from memory using the same sampling rate at which it stored the code signal. Alternatively, the data representing the number of consecutive samples of the code

signal at high and low logic states may be stored or data representing the number of periods at a particular data frequency may be stored. To double check that the received code signal is legitimate, microcontroller 57 preferably sets a DATPREV flag, returns to the beginning of the training sequence, selects a new, higher frequency, and confirms that the previously detected code signal is legitimate provided a code signal is not detected at this new frequency.

To determine whether the received code may be a variable code, microcontroller 57 may check whether the identified frequency is one used with time-varying codes. Additionally, microcontroller 57 may be able to identify a variable code based upon the number of pulses in the code since variable codes may have a higher number of bits. To confirm the presence of a variable code, microcontroller 57 may prompt the user to re-actuate the transmit button on the remote transmitter and check whether the code included in the second transmitted signal is the same as that in the first. Alternatively, the code may dynamically change within a single actuation of the transmit button on the remote transmitter or the characteristics of the pulses themselves may indicate that the code is a variable code, in which case microcontroller 57 could determine that the received code is a variable code.

If the code in the activation signal is a variable code, microcontroller 57 then examines the characteristics of the activation signal (i.e., the number of bits in the code, the pulse width, the pulse repetition rate, and/or the carrier frequency) to identify the make and model of the remote transmitter. By identifying the make and model of the remote transmitter, microcontroller 57 may then identify and access a prestored cryptographic algorithm corresponding to that used by the remote transmitter and its associated receiver. Next, microcontroller 57 prompts the user to perform any special sequence for re-synchronization of the system. This may be a sequence in which the user causes the remote transmitter to transmit a re-synchronization signal or in which a button is depressed on the receiver of the garage door opening mechanism to accept and re-synchronize on the next transmitted signal. If the sequence involves the transmitter transmitting a re-synchronization signal, the trainable transceiver may subsequently be trained to learn and retransmit the re-synchronization signal.

If the identified cryptographic algorithm requires a cryptographic key, microcontroller 57 will determine the appropriate method of receiving the cryptographic key based upon the identified make and model of the remote transmitter since such methods may vary from one manufacturer to another. If the cryptographic key may be downloaded or transmitted from the remote transmitter, microcontroller 57 will prompt the user to take the appropriate action. If the receiver includes some mechanism for changing its cryptographic key to one randomly or manually generated, microcontroller 57 may randomly generate a cryptographic key and transmit the key to the receiver. If a cryptographic key must be manually entered, microcontroller 57 may receive such information through input terminal 62a from a vehicle data entry system or a voice-actuated circuit. Having provided a general overview of the training sequence, a more detailed description is provided below with reference to FIGS. 9A-9G, 10, 11A, 11B, 12, and 13.

Microcontroller 57 begins the training sequence in block 218 of the program (FIG. 9A) by retrieving R and N frequency control data representing a frequency 3 MHz below a first frequency provided in a prestored frequency table and by clearing an X register. Preferably, the frequency table first includes, in increasing value, the known operating

frequencies of garage door transmitters that transmit only for a limited duration (i.e., approximately two seconds), such as the older Canadian garage door transmitters. These short duration transmitter frequencies are followed in the frequency table by the frequencies at which other commercially available garage door transmitters are known to operate. The frequencies associated with short duration transmitters are provided first in the frequency table in order to increase the likelihood that a successful train will occur before such a short duration transmitter stops transmitting its RF activation signal. In the event that the RF activation signal transmitted by a garage door transmitter does not have a frequency stored in the frequency table, trainable transceiver 43 will increment an initial frequency at 1 MHz intervals until the frequency of the received RF activation signal is identified.

After retrieving the first or next available frequency in the frequency table, microcontroller 57 tunes antenna 59 to a resonance frequency matching the retrieved frequency (block 220). Additionally, microcontroller 57 clears a mode save (MODSV) register. Next, microcontroller 57 sets the frequency of the signal generated by VCO 73 to a reference frequency 3 MHz below the retrieved frequency by providing the appropriate R and N values to divide-by-R register 92 and divide-by-N register 93 and instructs serial port and control logic circuit 75 to output a receive signal RX to enable receive buffer 81, mixer 79, receive amplifier 83, and integrator 84.

Next, microcontroller 57 outputs a signal to cause LED 48 to blink in order to inform the person who depressed one of switches 44, 46, and 47 that they should activate the remote garage door transmitter 65 to which trainable transceiver 43 is to be trained. Subsequently, antenna 59 receives the RF activation signal transmitted by remote transmitter 65 and provides the received signal to mixer 79 where the received RF activation signal is mixed with the signal output from VCO 73. If the frequency of the signal output by VCO 73 is 3 MHz above or below the frequency of the received RF activation signal, microcontroller 57 will detect any ASK data contained in the received RF activation signal and will call a "VERIFY" subroutine to verify the presence of a valid data code signal (block 222) and identify the data code as "fast" or "slow" data.

Fast data is detected when the data has more than five rising edges in a 850 μ sec interval. Slow data is detected when the data has five or less rising edges in a 850 μ sec interval, but more than five rising edges detected in a 70 msec interval. Fast data includes two general types of data—GENIE data, which is transmitted from GENIE brand transmitters, and non-GENIE (single tone) data. The distinction between GENIE and non-GENIE data is made in an ENCODE subroutine described below. GENIE data differs from the data transmitted by other brands of remote garage door transmitters in that the GENIE data is frequency shift-keyed data having pulse repetition rates that shift between 10 and 20 kHz. GENIE data is typically transmitted at a carrier frequency that falls between 290 and 320 MHz at 5 MHz intervals. As will be apparent from the description below, the classification of the data as either fast, slow, GENIE, or single tone affects the manner by which microcontroller 57 subsequently checks, stores, and encodes the data.

The VERIFY subroutine is shown in FIG. 10 and begins at block 224 at which point microcontroller 57 begins a 850 microsecond timer. In blocks 226 and 228, microcontroller 57 counts the number of rising edges in the ASK data within the 850 μ sec interval measured by the timer. In block 230,

microcontroller 57 determines whether the number of detected rising edges is greater than five. If the number of rising edges is greater than five, microcontroller 57 sets a data acknowledge (DACK) flag to "1" indicating that data has been verified and sets a mode bit to "1" indicating that the data is fast (block 232) and returns to block 234 (FIG. 9A) where microcontroller 57 updates the MODSV register to store the value of the mode bit.

If the microcontroller program determines in block 230 that the number of detected rising edges is not greater than five, the program advances to block 236 where it begins a 70 msec timer. In blocks 238 and 240, the program counts the number of rising edges detected during the 70 msec interval. If the number of rising edges is greater than five (block 242), the program sets the DACK flag to "1" and the mode bit to "0" (block 244) indicating that the data is slow and returns to the block following that block which last called the VERIFY subroutine. If microcontroller 57 determines that the number of rising edges detected during the 70 msec interval is not greater than five, the program sets the DACK flag to "0" indicating the absence of verified ASK data, sets the mode bit to "0", and returns to the block following that block which last called the VERIFY subroutine, as indicated in block 246.

Referring back to FIG. 9A, after returning from the VERIFY subroutine and updating the MODSV register, the program looks at the DACK flag to determine whether verified ASK data is present (block 248). If data is not present, the program advances to block 250 where the X counter is incremented. Then, the program determines whether the X counter is equal to 1 (block 252). Upon determining that X is equal to 1, microcontroller 57 decreases the frequency of VCO 73 by 1 MHz (block 254) and then repeats the steps set forth in blocks 220-234. Then in block 248, microcontroller 57 again determines whether data was detected as being present. By looking for data at a frequency 4 MHz below a frequency stored in the frequency table, microcontroller 57 can check whether the received activation signal is transmitted at a slightly lower frequency than expected due to production variances that may be present in the remote transmitter.

If data is again not present, the program increases the X counter (block 250) and checks whether the value of X is equal to 1 (block 252). If X is not equal to 1, the program advances to block 256 where it determines whether any data had been previously detected by looking at a DATPREV flag. As discussed below, the DATPREV flag is set only after the received code signal has been rigorously tested. If data had been previously detected, microcontroller 57 causes LED 48 to rapidly blink (block 258) indicating a successful training sequence. On the other hand, if the microcontroller program determines that data had not been previously detected, it returns to block 218 to retrieve the next frequency in the frequency table and to clear the X register.

Microcontroller 57 repeats the sequence of steps set forth above and identified in blocks 218-256 until microcontroller 57 detects the presence of data in block 248. When data is present, the program advances to block 260 (FIG. 9B) where it saves the value of X, which will have a value of "0" if data was detected when the frequency of VCO 73 was 3 MHz below the last frequency retrieved from the frequency table, or a value of "1" if the frequency of VCO 73 is 4 MHz below the last retrieved frequency from the frequency table. Next, the microcontroller program adds the intermediate frequency (IF) of bandpass filter 82, which is preferably 3 MHz, to the frequency of the signal previously output from VCO 73. Additionally, microcontroller 57 tunes the antenna

to an appropriate frequency for this increased VCO frequency (block 262).

Next, in block 264, the program checks to determine whether data is present by calling the VERIFY subroutine. If the frequency of VCO 73 was 3 MHz below the frequency of the received RF activation signal when microcontroller 57 verified the presence of data in block 248 (FIG. 9A), the detected data will typically disappear when a frequency of VCO 73 is increased by 3 MHz to be the same frequency as the RF activation signal. If, however, microcontroller 57 determines in block 266 that data is present when the frequency of VCO 73 is increased by 3 MHz, the microcontroller program checks the value of X in block 268 to determine whether the frequency of VCO 73 was previously set to 4 MHz below the frequency that was last retrieved from the frequency table. If the VCO frequency is 4 MHz below the last retrieved frequency from the frequency table, microcontroller 57 increments the VCO frequency by 1 MHz, retunes antenna 59 (block 270), and again attempts to verify the presence of data by returning to block 264. If data is again detected, the program advances to block 272 where the mode bit of the original data that was verified is restored to its initial value, which was stored in the MODSV register. Then, the microcontroller program puts the detected data through a more rigorous test by calling an "ENCODE" subroutine in block 274.

In the ENCODE subroutine shown in FIGS. 11A and 11B, microcontroller 57 first clears its RAM in block 276 and determines whether the mode bit is equal to 1 in block 278. If the mode bit is equal to 1, microcontroller 57 enables interrupts (block 280) such that it may identify each period in the data string as either 10 kHz or 20 kHz (block 282). Next, microcontroller 57 determines whether it has received twelve consecutive 10 kHz periods (block 284) in order to determine whether the data is frequency-shift keyed corresponding to an activation signal transmitted by a GENIE brand transmitter. If twelve consecutive 10 kHz periods have not been received, the program increments an error counter (block 286), and checks whether the error counter has reached too high a value (block 288). Provided that the error counter has not reached too high a value, microcontroller 57 continues to identify each period as either 10 kHz or 20 kHz (block 282) and to determine whether twelve consecutive 10 kHz periods have been received (block 284).

If microcontroller 57 receives twelve consecutive 10 kHz periods and fills the RAM with the received data corresponding to the number of 10 kHz and 20 kHz periods (block 290), the program sets the success flag (block 292) and returns to the block following that in which the ENCODE subroutine was last called.

If, however, in block 288, the program 57 determines that the error counter has reached too high a value, it determines that the received data is "single tone" data and sets a flag indicating that the data is single tone (block 294). In block 296, microcontroller 57 then determines whether the data has long periods of dead time. If the data has long periods of dead time, microcontroller 57 identifies the data as single tone data in word format, sets a word format flag, and measures and stores the length of the dead time (block 298). After determining that the data does not have long periods of dead time, or after identifying the data as single tone data in word format, microcontroller 57 stores the data string in the RAM and measures the periods of 250 cycles of the received data in block 300. Next, microcontroller 57 categorizes the results into two possible frequencies, saving the length of the period and the number of matches to each (block 302). If microcontroller 57 determines in block 304

that more than two hundred matches have been found for one of the two frequencies, it then determines in block 306 whether the data could be considered "dirty" GENIE data by determining whether either one of the two frequencies used to categorize the cycles are at or near 10 or 20 kHz. If the data could be dirty GENIE data, or if more than two hundred matches are not found in block 304, the microcontroller program clears the success flag in block 308 and returns to the block following that block in which the ENCODE subroutine was last called.

If, in block 306, microcontroller 57 determines that the data could not be dirty GENIE data, microcontroller 57 saves the period at which more than 200 matches were found (block 310), sets the success flag (block 312), and the program returns to the block following that block in which the ENCODE subroutine was last called.

If, in block 278 of the ENCODE subroutine of FIG. 11A, microcontroller 57 determines that the mode bit is not equal to one indicating that the received data is slow, microcontroller 57 sets up to sample the received data at 68 μ sec in block 314 (FIG. 11B). Then, in block 316, microcontroller 57 looks for a start condition in the received data which is present when seventy consecutive samples are found at a low logic level. If the start condition is not found (block 318), microcontroller 57 identifies the data as "constant pulse data" in block 320. After the data is identified as "constant pulse data" or after a start condition is detected in block 318, microcontroller 57 then determines whether the data was lost in block 322 by determining whether the number of consecutive samples at a low logic level exceed a predetermined number. If microcontroller 57 determines that the data was lost in block 322, it clears the success flag in block 324 and the program returns to the block following that block which called the ENCODE subroutine. On the other hand, if microcontroller 57 determines that the data was not lost, it stores the data as the number of consecutive samples at either a high or low logic level (block 326), sets the success flag (block 328), and the program returns to the block following that block which called the ENCODE subroutine.

Returning to FIG. 9B, if the data that was verified at the last retrieved frequency in the frequency table and also at a frequency 3 MHz below the last retrieved frequency is successfully encoded (block 330), the microcontroller program checks the X value to determine whether the frequency of the VCO 73 was last set to a value 4 MHz below the last retrieved frequency from the frequency table (block 332). If the VCO was previously set at a frequency 4 MHz below the last retrieved frequency, microcontroller 57 increments the VCO frequency by 1 MHz, retunes antenna 59 (block 334), and the program returns to block 274 to try to encode the data. If this data is then successfully encoded, the program advances to block 336 where a noise counter NOISCNT is incremented.

Next in block 338, microcontroller 57 checks the value of NOISCNT to determine whether this value is too high indicating that trainable transceiver 43 is receiving noise at those frequencies at which data was verified. If the NOISCNT value is too high, microcontroller 57 determines whether the frequency last retrieved from the frequency table was a Canadian frequency (i.e., a frequency associated with an activation signal of short duration) (block 340).

If the value of NOISCNT is not too high (block 338), or if the value of NOISCNT is too high and the frequency last retrieved from the frequency table is not a Canadian frequency, the program goes to block 341 (FIG. 9A) where it restores the frequency of VCO 73 and the value of X to the

values they had prior to transferring to block 260 in FIG. 9B. Then the program increments the value of X in block 250 and determines in block 252 whether the value of X is equal to 1. If the value of X is not equal to 1, the program advances to block 256 where it determines whether data was previously detected. If data was previously detected, microcontroller 57 then outputs a signal to cause LED 48 to rapidly blink, thereby indicating a successful train (block 258). If, however, X is equal to 1 (block 252), microcontroller 57 decreases the frequency of the VCO by 1 MHz (block 254), and looks for data at that frequency by repeating the steps set forth in blocks 220-248.

Referring back to FIG. 9B, if the program determines in blocks 338 and 340 that NOISCNT is too high and the frequency last retrieved from the frequency table is a Canadian frequency, the program sets the pointers in the frequency table to point to the first frequency following the Canadian frequencies (block 342) and advances to block 218 (FIG. 9A) in order to attempt to detect data at the remaining frequencies stored in the frequency table.

As stated above, when a valid data code is present when the frequency of VCO 73 is set 3 MHz below the frequency of the RF activation signal, the data should disappear when the frequency of VCO 73 is increased by 3 MHz to coincide with the frequency of the received RF activation signal. Moreover, if the data, which is detected when the frequency of VCO 73 is increased to be the same as the frequency of the received RF activation signal, cannot be successfully encoded (block 330) a valid data code may be present. Thus, if data was not detected in block 266, or if detected data was not successfully encoded in block 330, the program advances to block 344 (FIG. 9C) where it adds the intermediate frequency of 3 MHz to the VCO frequency and retunes antenna 59.

Next, the program checks to determine whether verifiable data has reappeared by calling the VERIFY subroutine in block 346 (FIG. 9C). If the program determines that data is present in block 348, the program then tests (Block 350) to determine whether the detected data is fast by examining whether the mode bit is equal to 1 or 0. If the data is fast (i.e., MODE=1), the program executed by microcontroller 57 attempts to encode this fast data in block 352 by calling the ENCODE subroutine of FIG. 11A. If the fast data is not successfully encoded (block 354), or if the program determines that data is not present in block 348, microcontroller 57 increments the VCO frequency by 1 MHz, retunes antenna 59 (block 356), and reattempts to verify the presence of data by calling the VERIFY subroutine (block 358) of FIG. 10.

If data is present (block 360), microcontroller 57 determines whether the data is fast in block 362. If the data is fast, microcontroller 57 attempts to encode this fast data by calling the ENCODE subroutine as indicated in block 364. If the fast data is not successfully encoded (block 366), or if microcontroller 57 does not detect data in block 360, microcontroller 57 decrements the VCO frequency by 2 MHz, retunes antenna 59 (block 368), and checks for the presence of data in block 370 by calling the VERIFY subroutine.

If the program then determines that data is present in block 372 (FIG. 9D), the program determines whether the detected data is fast data in block 374. If the detected data is fast data, the program attempts to encode this fast data in block 376 by calling the ENCODE subroutine. If this fast data is not successfully encoded (block 378), or if the program determines that data is not present in block 372, the program advances to block 336 (FIG. 9B) and performs the process indicated in blocks 336-342 as indicated above.

In the event the program detects data which is not fast in blocks 350, 362 (FIG. 9C), or in block 374 (FIG. 9D), the program advances to block 380 in FIG. 9E. Similarly, if the program successfully encodes detected fast data in blocks 354, 366 (FIG. 9C), or block 378 (FIG. 9D), the program advances to block 380 in FIG. 9E.

Having advanced to block 380 in FIG. 9E, the mode bit is restored to the value saved in the MODSV register and the frequency of VCO 73 is restored to the frequency at which data was first detected. Microcontroller 57 then determines whether the identified frequency of the received activation signal is one known to be used with rolling, real-time, or other variable codes (block 381). Alternatively or additionally, microcontroller 57 may check other characteristics of the received activation signal, such as the number of bits in the code to determine whether the code is a variable code. If the code is potentially a variable code, microcontroller 57 calls a rolling code ID (RCID) subroutine 382, an example of which is described now with reference to FIG. 13.

In the rolling code ID subroutine 382, microcontroller 57 first determines whether the received code is dynamically changing (i.e., changing within an actuation of the transmit button) (block 500). If the code is not dynamically changing, microcontroller 57 stores the identified code in a first memory location MEM1 (block 501) and prompts the user to re-actuate the transmit button on remote transmitter 65 (block 502). Then, using the same frequency to demodulate the received re-transmitted activation signal, microcontroller 57 receives and stores the code included in this signal in another memory location MEM2 (block 506). Microcontroller 57 then compares the codes stored in the two memory locations (block 508) and determines whether the codes are different (block 510). If the codes are not different, microcontroller 57 determines that remote transmitter 65 does not utilize a variable code and the program returns to block 383 (FIG. 9E). If the two codes are different or if the received code is changing dynamically, microcontroller 57 examines the characteristics of the received activation signal and compares such information with stored transmitter identification data to determine the make and model of remote transmitter 65. Such characteristics may include the pulse width, pulse repetition rate, number of codes bits, and/or the identified carrier frequency. Based upon an identification of the make and model of remote transmitter 65, microcontroller 57 identifies a cryptographic algorithm, which is previously stored in memory, corresponding to the cryptographic algorithm used by the identified remote transmitter and receiver of the same make and model (block 514). If the cryptographic algorithm is not previously stored in the microcontroller's memory, it may be downloaded through input terminal 62a. Additionally, if microcontroller 57 cannot identify the manufacturer of the remote transmitter based upon the characteristics of the received activation signal, microcontroller 57 may prompt the user to input an identification code or name identifying the make and model of the remote transmitter. Such information may be input by pushing various combinations of switches 44, 46, and 47 or by using a user interface, such as that disclosed in above-mentioned U.S. Pat. No. 5,555,172, via input terminal 62a.

After the cryptographic algorithm is identified or otherwise provided, microcontroller 57 prompts the user to perform a "special sequence" to identify the serial number associated with either the last transmitted code or the code to be transmitted next (block 516). This special sequence is that which is performed to resynchronize the transmitter and receiver according to the methodology used by the particular

manufacturer. In some cases this may involve any one or combination of the following: pressing the transmit button of remote transmitter 65 twice in rapid succession, holding the transmit button down for a predetermined time period, pressing a second transmit button, pressing a combination of buttons, entering a code on a keypad of remote transmitter 65, etc. Such a special sequence may also involve operating a re-synchronization or reset switch on the receiver of garage door opening mechanism 66 causing the receiver to accept and re-synchronize on the next code it receives.

After identifying the cryptographic algorithm and the serial number of the next code to be transmitted, microcontroller 57 has the information necessary to subsequently generate the proper sequence of codes for opening the garage door provided the cryptographic algorithm does not utilize a cryptographic key. If the algorithm does require such a key, microcontroller 57 must either learn or receive the cryptographic key used by the remote transmitter and associated receiver, or randomly generate a cryptographic key that may be transmitted in a special signal or otherwise communicated to the receiver. Thus, microcontroller 57 will determine whether there is an original transmitter (OT) sequence to download the cryptographic key based upon the known methodology employed by the identified manufacturer (block 518).

If an original transmitter sequence is available to download the cryptographic key, microcontroller 57 will execute a prestored algorithm to perform the sequence (block 520). The sequence may involve prompting the user to perform certain tasks such as pressing a particular transmit button on remote transmitter 65, or any similar technique such as those described above with respect to the special sequence for re-synchronization. The performance of the original transmitter sequence will result in the cryptographic key being downloaded into the non-volatile memory of microcontroller 57 (block 522).

Microcontroller 57 may then decipher the serial number for synchronization purposes (if necessary) using the cryptographic algorithm and the cryptographic key (block 524). Then microcontroller 57 will cause LED 48 to rapidly blink indicating that the signal has been successfully trained (block 526).

If there is no original transmitter sequence for downloading the cryptographic key, microcontroller 57 will assume the receiver of garage door opening mechanism 66 may be reset by pressing a button thereon or performing some other sequence, to receive and utilize a new cryptographic key. Thus, microcontroller 57 will randomly generate a cryptographic key (block 528) and will synchronize the receiver by transmitting the key to the receiver using the appropriate protocol for the identified make and model receiver to download the new key (block 530). When the receiver is synchronized, microcontroller 57 causes LED 48 to rapidly blink indicating a successful training sequence (block 526).

If more than one transmitter is used to open the garage door, microcontroller 57 can identify the portion of the transmitted code including the transmitter ID tag by regenerating the received code using the cryptographic algorithm and comparing the regenerated code with the received code to determine the part of the code that represents a message header including the transmitter ID tag. The identified ID tag may then be stored along with any other data including in a fixed message header for subsequent re-transmission along with the variable code.

Referring back to FIG. 9E, if the frequency is not one known to be used for variable codes, the noise counter NOISCNT is cleared (block 383) and the VERIFY subrou-

time is called in block 384. Then, if verifiable data is not present (block 386), microcontroller 57 sets a five second timer and begins slowly double blinking LED 48 in a distinctive manner in order to prompt operator to again depress the activation switch on remote transmitter 65 (block 388). Although not usually necessary, by prompting the operator to cause the remote transmitter to retransmit its activation signal, microcontroller 57 increases the likelihood that trainable transceiver 43 can successfully learn a short duration activation signal.

Next, the program repeatedly calls the VERIFY subroutine (block 390) until verifiable data is detected (block 392), or a predetermined time interval, such as five seconds, has expired (block 394). If verifiable data is detected in block 386 or block 392, or if time has expired in block 394, the program calls the ENCODE subroutine (block 396). Then, if the data is not successfully encoded (block 398), the program increments the noise counter NOISCNT (block 400) and checks whether NOISCNT is equal to 4 (block 402). If NOISCNT is not equal to 4, the program returns to block 384 to again attempt to verify and encode the received data code. If NOISCNT is equal to 4 (block 402), the program advances to block 341 in FIG. 9A where the VCO frequency and the X counter is restored and the process advances to block 250 as previously described above.

If, in block 398, it is determined that the data code was successfully encoded, the program checks whether the data was previously identified as single tone data in block 404. If the data is single tone data, the program then determines whether a stubborn (STUBRN) bit had been previously set (block 406). Initially, the STUBRN bit is not set. However, if the STUBRN bit is subsequently set in block 494 (FIG. 9G) due to an inability to previously successfully train single tone data, and the process returns back to block 406, the program increments noise counter NOISCNT in block 400 and advances through the process in the manner previously discussed above. If, in block 404, microcontroller 57 determines that the detected data is not single tone data, microcontroller 57 attempts to condense the encoded data by calling a CONDENSE subroutine in block 408. The CONDENSE subroutine is employed to attempt condense the data stored in memory during the last execution of the ENCODE subroutine such that the stored code signal, which may repeat a data sequence numerous times, does not consume more memory than necessary. The CONDENSE subroutine is now described with reference to FIG. 12.

Initially, in block 410, the program determines whether the mode bit is equal to 1. If the mode bit is equal to 1, the program determines whether any data is present with three or less periods (i.e., whether the encoded data contains a data sequence that is repeated three or fewer times within the string of data that was encoded and stored in microcontroller 57). If the data has three or less periods, the program indicates in block 414 that the attempt to condense the data has failed and returns to block 446 (FIG. 9E).

If, on the other hand, no data is present with three or less periods, the program then determines whether the encoded and stored data has any 10 kHz data with more than 30 periods (block 416). If there is 10 kHz data with more than 30 periods, the program indicates that the attempt to condense the data has failed (block 414) and returns to the process in FIG. 9E (block 446). If there is no 10 kHz data present with more than 30 periods (block 416), the program sets the start pointer of the condensed data code to the first data location of the encoded and stored data (block 418). Next, the program sets the end pointer for the stored condensed data equal to the last 10 kHz data having more

than 12 periods (block 420) and indicates that the attempt to condense the data was successful (block 422) before returning to block 446 in FIG. 9E. In this manner, the stored encoded data may be condensed to a shorter form that may be repeatedly read from memory during a transmit mode.

If, in block 410, the program determines that the mode bit is not equal to 1, it then determines whether the stored encoded data includes a long slow period (block 424). If the stored data does not include a long low period, it is determined in block 426 that the data is continuous and, in block 428, the program determines that the entire data bank should be used to store the encoded data. If, in block 424, it is determined that the data does include a long low period, the start pointer for the condensed data is set equal to the first location of the stored encoded data (block 430) and the end pointer of the condensed data is set equal to the last location of the long low period within the stored encoded data (block 432).

Subsequently, the program looks at the stored condensed data to determine whether the data includes any continuous logic high states of 120 samples or more (block 434). If any such continuous high logic periods are found, the program indicates that the attempt to condense the data has failed in block 436 and returns to block 446 in FIG. 9E. If there are not any consecutive high periods of 120 more samples, then the stored condensed data is examined to determine whether there are any occurrences of a logic high or low state that does not exist for two consecutive samples (block 440). If identifies such an occurrence is identified, it is indicated in block 436 that the attempt to condense the data has failed and the program advances to block 446.

If there are no such occurrences in block 440, it is determined whether the stored condensed data string from start to end is less than ten samples (block 442). If the data string is less than ten samples long, it is indicated that the attempt to condense the data has failed in block 436. On the other hand, if the stored condensed data consists of 10 or more samples, it is indicated that the attempt to condense the data was successful in block 444 and the program advances to block 446 in FIG. 9E.

In block 446 of FIG. 9E, it is determined whether the attempt to condense the encoded data was successful. If the attempt was not successful, microcontroller 57 increments the noise counter NOISCNT in block 400 and the program proceeds in the manner discussed above. If the encoded data was successfully condensed, the program determines whether the data was previously found to be constant pulse data (block 448). If the data is not constant pulse data, the program again attempts to encode the data by calling the ENCODE subroutine of FIGS. 11A-B in block 450. If the data is constant pulse data, or if the data is successfully encoded in block 450 as indicated by test block 452, the program advances to block 454 in FIG. 9F (block 452). Otherwise, the program advances to block 400 where it increments the noise counter NOISCNT and proceeds as described above.

In block 454 (FIG. 9F), the program determines whether the data is GENIE data by looking at the mode bit and the single tone bit. If the mode bit is equal to 1 and the single tone flag is not set, the program advances to block 456 where microcontroller 57 sorts the identified carrier frequency of the received activation signal into one of several known GENIE operating frequencies falling within the range of 290-320 MHz at 5 MHz intervals. Thus, for example, if the identified carrier frequency of the received activation signal is between 301 and 304 MHz, microcontroller 57 determines that the carrier frequency to store and subsequently transmit

should be the closer of 300 and 305 MHz. Also in block 456, the program sets the DATPREV flag to indicate that data has been detected. Then, the program advances to block 458 and microcontroller 57 stores the new data prior to returning to block 218 in FIG. 9A.

If, in block 454, the program determines that the mode bit is not equal to 1, the program then determines whether the value of X is equal to "0" in order to determine whether data was first detected when the frequency of VCO 73 was set 3 MHz below the frequency in the frequency table (block 460). If the value of X is equal to "0", the program looks to the next value in the frequency table to determine whether this value is 1 MHz away from the previous value (block 462). If the next frequency in the frequency table is 1 MHz away, microcontroller 57 stores the new data (block 458) and the program returns to block 218 (FIG. 9A) and proceeds as described previously. If the next frequency in the frequency table is not 1 MHz away from the previous frequency, microcontroller 57 saves the data and outputs a signal causing LED 48 to rapidly blink, thus indicating a successful training sequence (block 464).

If, in block 460, the program determines that X is not equal to "0", it checks whether the DATPREV flag is equal to 1 (block 466). If the DATPREV flag is not equal to 1, microcontroller 57 saves the data and outputs a signal causing LED 48 to rapidly blink (block 464). If DATPREV flag is equal to 1, the program determines whether the previous data was trained at 3 MHz below a frequency stored in the frequency table (block 468). If the previous data was trained at 3 MHz below a frequency stored in the frequency table, microcontroller 57 reverts back to the data obtained when the VCO frequency was 3 MHz below a frequency in the frequency table and causes LED 48 to rapidly blink acknowledging a successful training sequence (block 470). If the previous data was not trained when the frequency of VCO 73 was 3 MHz below a frequency in the frequency table (block 468), microcontroller 57 saves the data and causes LED 48 to rapidly blink (block 464) indicating a successful training sequence.

Referring back to FIG. 9E, if microcontroller 57 determines that the retrieved data code is single tone in block 404 and determines that the STUBRN bit is not set in block 406, the program advances to block 472 in FIG. 9G. In block 472, microcontroller 57 determines whether the DATPKEV flag is set. If the DATPREV flag is set, microcontroller 57 causes LED 48 to rapidly blink indicating a successful training sequence (block 474). If, on the other hand, microcontroller 57 determines that the DATPREV flag is not set, microcontroller 57 determines whether it is operating in the Canadian fast mode by determining whether the last frequency read from the frequency table is a Canadian frequency (block 476). If microcontroller 57 is operating in a Canadian fast mode, the program advances to block 308 in FIG. 9A and proceeds as previously discussed. If microcontroller 57 is not operating in the Canadian fast mode, it adds the intermediate frequency of 3 MHz to the frequency of VCO 73 (block 478).

Next, microcontroller 57 stores the value of R and stores the value of N required for the increased VCO frequency in the NVM of microcontroller 57 (block 480). Next, microcontroller 57 decreases the frequency of VCO 73 by 2 MHz (block 482) and saves this frequency in the variable DATCHK (block 484). Then, the program calls the ENCODE subroutine of FIGS. 11A-B (block 486) to attempt to encode data at this new VCO frequency. If this data is not successfully encoded (block 488), the program sets the DATPREV flag (block 490) and returns to block 218

of FIG. 9A. By returning to block 218, the program may check whether data may be verified at frequencies 3 or 4 MHz below the next frequency in the frequency table. Provided verified data is not found at these frequencies, a successful train may be indicated in block 258 because the program will determine that the DATPREV flag had been set in block 256.

If, in block 488, the program determines that the attempt to encode data is successful, it determines whether the encoded data is single tone data in block 492. If the data is not single tone data, microcontroller 57 clears the noise counter NOISCNT and sets the STUBRN bit (block 494) and advances to block 480 in FIG. 9E. If the successfully encoded data is single tone data, microcontroller 57 checks the frequency of the data to determine whether it is greater than 18 kHz (block 496). Then, if the data has a frequency greater than 18 kHz, microcontroller 57 checks whether any previous data had a frequency less than 15 kHz (block 498). If any previous data did not have a frequency less than 15 kHz, or if the frequency of the successfully encoded single tone data is not greater than 18 kHz, the microcontroller program returns to block 476 and proceeds as previously discussed. If any previous data did have a frequency less than 15 kHz, the program sets the DATPREV flag (block 500) and returns to block 218 of FIG. 9A and proceeds as previously described.

The above process is continued until a successful training sequence is acknowledged or until microcontroller 57 has looked for data at all frequencies at 1 MHz intervals between the 200 and 400 MHz range, in which remote transmitters typically operate.

Although the present invention has been described as including specific elements and as operating in a specific manner in accordance with a preferred embodiment, certain aspects of the present invention may be practiced without requiring the particulars of another feature of the present invention. For example, the trainable transceiver of the present invention need not include a dynamically tunable antenna or a variable gain amplifier and need not perform the procedures for training to short duration activation signals. Similarly, the procedures for training to variable activation signals need not be practiced with the particular structural implementation of the preferred embodiment disclosed above. For example, the variable activation signal training procedures could be implemented in a trainable transceiver such as that disclosed in allowed U.S. patent application Ser. No. 08/055,509 or that disclosed in allowed U.S. patent application Ser. No. 08/172,642.

Additionally, methods other than those disclosed above may be used to provide any required data to the microcontroller for training to a variable code activation signal. For example, data, such as the cryptographic key, may be transmitted to the microcontroller of the trainable transceiver using paging signals. A system for receiving paging signals for controlling vehicle accessories is disclosed in U.S. Pat. No. 5,479,157, entitled "REMOTE VEHICLE PROGRAMMING SYSTEM," the disclosure of which is incorporated by reference herein. Another approach would be for a manufacturer to provide a compact disc (CD-ROM) with systems utilizing a variable code that would include the cryptographic algorithm and key for downloading to the trainable transceiver microcontroller from the vehicle's CD player. A system utilizing a CD in a vehicle's CD player, for controlling vehicle accessories is disclosed in U.S. Pat. No. 5,525,977, entitled "PROMPTING SYSTEM FOR VEHICLE PERSONALIZATION," the disclosure of which is incorporated by reference herein.

If a remote transmitter that transmits a variable code is adapted to also transmit a re-synchronization signal to the receiver when the transmitter and receiver become out of sync, the trainable transceiver of the present invention may be trained to learn and re-transmit such a re-synchronization signal. This could be readily accomplished by training one of the other channels of the transceiver using the procedure described above for training to the activation signal.

It will be understood by those who practice the invention and by those skilled in the art, that various modifications and improvements may be made to the invention without departing from the spirit or scope of this invention which is to be determined by the claims and by the breadth of their interpretation allowed by law.

The embodiments of the invention in which an exclusive property or privilege is claimed are defined as follows:

1. A trainable transceiver for installation in a vehicle for receiving an activation signal that includes a variable code and learning characteristics of the activation signal for subsequently transmitting a signal having the same characteristics for remotely actuating a device, said trainable transceiver comprising:

a receiver for receiving an activation signal from a remote transmitter used to remotely actuate a device;

a controller coupled to said receiver and operable in a learning and an operating mode, said controller receiving the activation signal in said learning mode, recognizing the presence of a variable code, identifying one of a plurality of prestored cryptographic algorithms related to the cryptographic algorithm used by the remote transmitter to generate the rolling code, and storing data identifying the cryptographic algorithm and last transmitted code of the activation signal; and in said operating mode, said controller generates output data representing a next sequential code of the variable code using the identified cryptographic algorithm and the data represented the last transmitted code; and

a signal generator coupled to said controller for receiving said output data from said controller and for transmitting a modulated signal, which corresponds to the received activation signal and includes a variable code recognizable by a receiver of the remote device for actuation thereof.

2. The trainable transceiver as defined in claim 1, wherein said controller identifies the prestored cryptographic algorithm related to the cryptographic algorithm used by the remote transmitter based upon characteristics of the received activation signal.

3. The trainable transceiver as defined in claim 1, wherein said variable code is a rolling code.

4. The trainable transceiver as defined in claim 1, wherein said controller receives a re-synchronization signal transmitted from a remote transmitter, and stores re-synchronization data representing the characteristics of the received re-synchronization signal and when in said operating mode, said controller outputs the re-synchronization data to said signal generator data for generation and transmission of a modulated re-synchronization signal, which corresponds to the received re-synchronization signal, to a second receiver associated with a remotely actuated device for re-synchronization thereof.

5. The trainable transceiver as defined in claim 4 and further including:

a first operator-actuated switch coupled to said controller;

a second operator-actuated switch coupled to said controller, wherein said controller causes said signal

generator to transmit the modulated signal to the receiver of the remote device for actuation thereof in response to an actuation of said first operator actuated switch and causes said signal generator to transmit the modulated re-synchronization signal to the receiver in response to an actuation of said second operator-actuated switch.

6. The trainable transceiver as defined in claim 1 and further including prompting means for prompting a user to perform a re-synchronization procedure utilized to re-synchronize the trainable transceiver with a second receiver associated with a remotely actuated device.

7. The trainable transceiver as defined in claim 1 and further including:

input means coupled to said controller for receiving a cryptographic key corresponding to that used by a second receiver associated with a remotely actuated device for use by said controller when executing the identified prestored cryptographic algorithm to generate the variable code.

8. The trainable transceiver as defined in claim 1, wherein the activation signal transmitted by a remote transmitter is a radio frequency signal, and said controller identifies and stores the radio frequency of the received activation signal.

9. A trainable transceiver for a vehicle for receiving an activation signal that includes a variable code and learning characteristics of the activation signal for subsequently transmitting a signal having the same characteristics for remotely actuating a device, said trainable transceiver comprising:

an antenna;

a receiver coupled to said antenna for receiving an activation signal transmitted from a remote control transmitter for actuating a remote device, the activation signal having characteristics including a variable data code;

a controller coupled to said receiver for identifying one of a plurality of cryptographic algorithms corresponding to the cryptographic algorithm used by the remote control transmitter for generating the variable data code of the received activation signal, storing data identifying the cryptographic algorithm and a serial number for identifying the data code to be transmitted next when in a learning mode, and for generating a data code using the identified cryptographic algorithm and the last stored serial number when in a transmitting mode; and

a transmitter coupled to said controller for receiving the stored data and generating a modulated signal having the same characteristics as the received activation signal and including the data code generated by said controller, and coupled to said antenna for transmitting the modulated signal to the remote device for actuation thereof.

10. The trainable transceiver as defined in claim 9, wherein the activation signal transmitted by the portable transmitter is a radio frequency signal, and said controller identifies and stores the radio frequency of the received activation signal.

11. The trainable transceiver as defined in claim 9, wherein said variable code is a rolling code.

12. A method of training a vehicle-installed trainable RF transceiver to receive, learn, and subsequently transmit variable code signals having identifiable characteristics received from remote control transmitters used to actuate a device having a receiver, the method comprising the steps of:

receiving a signal output from the remote control transmitter, the signal having characteristics including a carrier frequency and a variable data code;

identifying a cryptographic algorithm used to generate the variable code of the received signal from a plurality of prestored cryptographic algorithms;

deciphering the received data code using the identified cryptographic algorithm to identify a serial number associated with the received data code;

storing the identified serial number and data representing the identified cryptographic algorithm;

generating an RF carrier signal having the carrier frequency of the received signal;

generating a data code for transmission using the identified cryptographic algorithm and the stored serial number;

modulating the carrier signal with the generated data code to produce an output signal related to the received signal; and

transmitting said output signal to the receiver of the device in order to remotely actuate the device.

13. The method as defined in claim 12 and further including the steps of:

identifying an RF carrier frequency of the received activation signal; and

demodulating the received activation signal using a reference signal having a frequency related to the identified carrier frequency to obtain the code included in the received activation signal.

14. The method as defined in claim 12 and further including the step of:

receiving a cryptographic key corresponding to that used by a second receiver associated with a remotely actuated device for use when generating the variable code using the identified cryptographic algorithm.

15. An RF transmitter for use in controlling at least one garage door opening mechanism, said transmitter trainable to the frequency and code of at least one existing garage door opening transmitter, said RF transmitter comprising:

means for receiving an encoded RF signal from an existing RF remote control transmitter;

an RF frequency output circuit;

a microprocessor programmed to operate in a training mode and an operating mode, said microprocessor

coupled to said receiving means and to said RF frequency output circuit and when in a training mode operable to identify a code as a variable code, identify one of a plurality of cryptographic algorithms used to generate the variable code, and to store signals identifying the RF frequency of the received encoded RF signals and the identified cryptographic algorithm; and an operator actuated switch coupled to said microprocessor for controlling the operational state of said microprocessor between said training and operating modes, said microprocessor coupled to said RF frequency output circuit and responsive to the actuation of said switch and said stored signals to generate a variable code and to transmit signals having an RF frequency corresponding to the received encoded RF frequency signals and including a variable code generated by said microprocessor using the identified cryptographic algorithm when in said operating mode when said switch is actuated by an operator.

16. The transmitter as defined in claim 15, wherein said microprocessor is programmed to learn and store the RF frequency and code of a plurality of received encoded RF signals and further including a plurality of operator actuated switches with one switch associated with each learned signal.

17. The transmitter as defined in claim 15, wherein said microprocessor identifies a received code as a variable code when a subsequently received code is different than the received code.

18. The transmitter as defined in claim 15 and further including:

input means coupled to said microprocessor for receiving a cryptographic key corresponding to that used by a receiver of the garage door opening mechanism for use by said microprocessor when executing the identified cryptographic algorithm to generate the variable code.

19. The transmitter as defined in claim 15, wherein said microprocessor identifies the cryptographic algorithm corresponding to the cryptographic algorithm used by a remote transmitter based upon characteristics of the received encoded RF signal.

20. The transmitter as defined in claim 15, wherein said variable code is a rolling code.

* * * * *